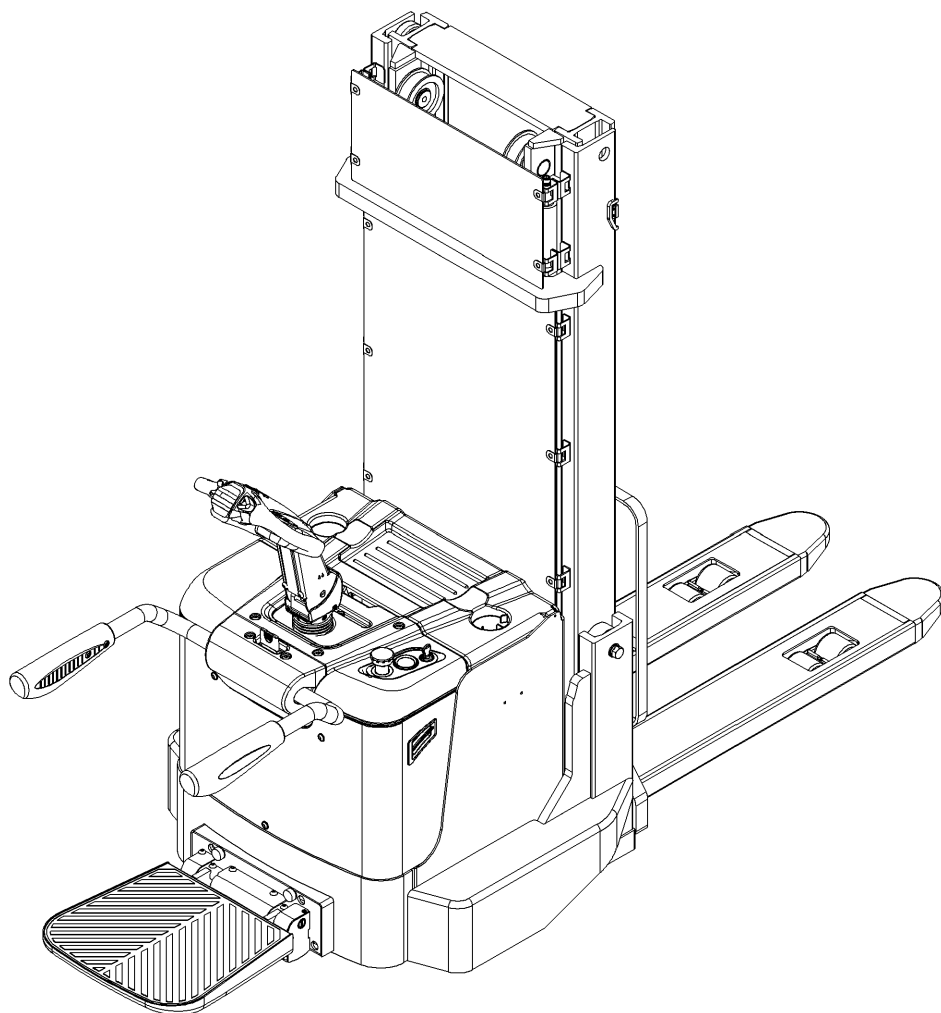


SPAREPARTS LIST

Electric Stacker PS 20



Version 01/2020

From truck identification number:

PS 20-BPT-004-EN

Catalogue

Fig. 1 Label (for EU)	1
Fig. 2 Label (for US)	3
Fig. 3 Outline.....	5
Fig. 4 Chassis	7
Fig. 5 Chassis system.....	8
Fig. 6 Steering wheel assembly.....	10
Fig. 7 Load wheel assembly (tandem roller)	12
Fig. 8 Truck body	14
Fig. 9 Power supply	16
Fig. 10 Instrument assembly	18
Fig. 11 Battery cover assembly	20
Fig. 12 Mast system.....	21
Fig. 13 Mast lifting system	23
Fig. 14 Mast other accessories.....	25
Fig. 15 Hydraulic system	26
Fig. 16 Cylinder.....	28
Fig. 17 Manual steering wheel carrier	30
Fig. 18 Electric power assisted steering wheel carrier	32
Fig. 19 Electric steering assembly.....	34
Fig. 20 7EL-AC-1.3 Drive wheel assembly.....	36
Fig. 21 26ELB-AC-1.3KW-R Drive wheel assembly	40
Fig. 22 Handle lever.....	44
Fig. 23 CANBUS Handle head	46
Fig. 24 Pump station system (3.0KW 3.3 delivery capacity)	48
Fig. 25 Main circuit wiring (Electrical steering)	50
Fig. 26 Main circuit wiring (Manual steering)	52
Fig. 27 General electrical parts.....	53
Fig. 28 Electric control assembly(Electrical steering).....	55
Fig. 29 Electric control assembly(Manual steering)	58
Fig. 30 Foldable platform	61
Fig. 31 Protective arm.....	63
Fig. 32 Backrest.....	64
Easy worn parts list.....	65

Fig. 1 Label (for EU)

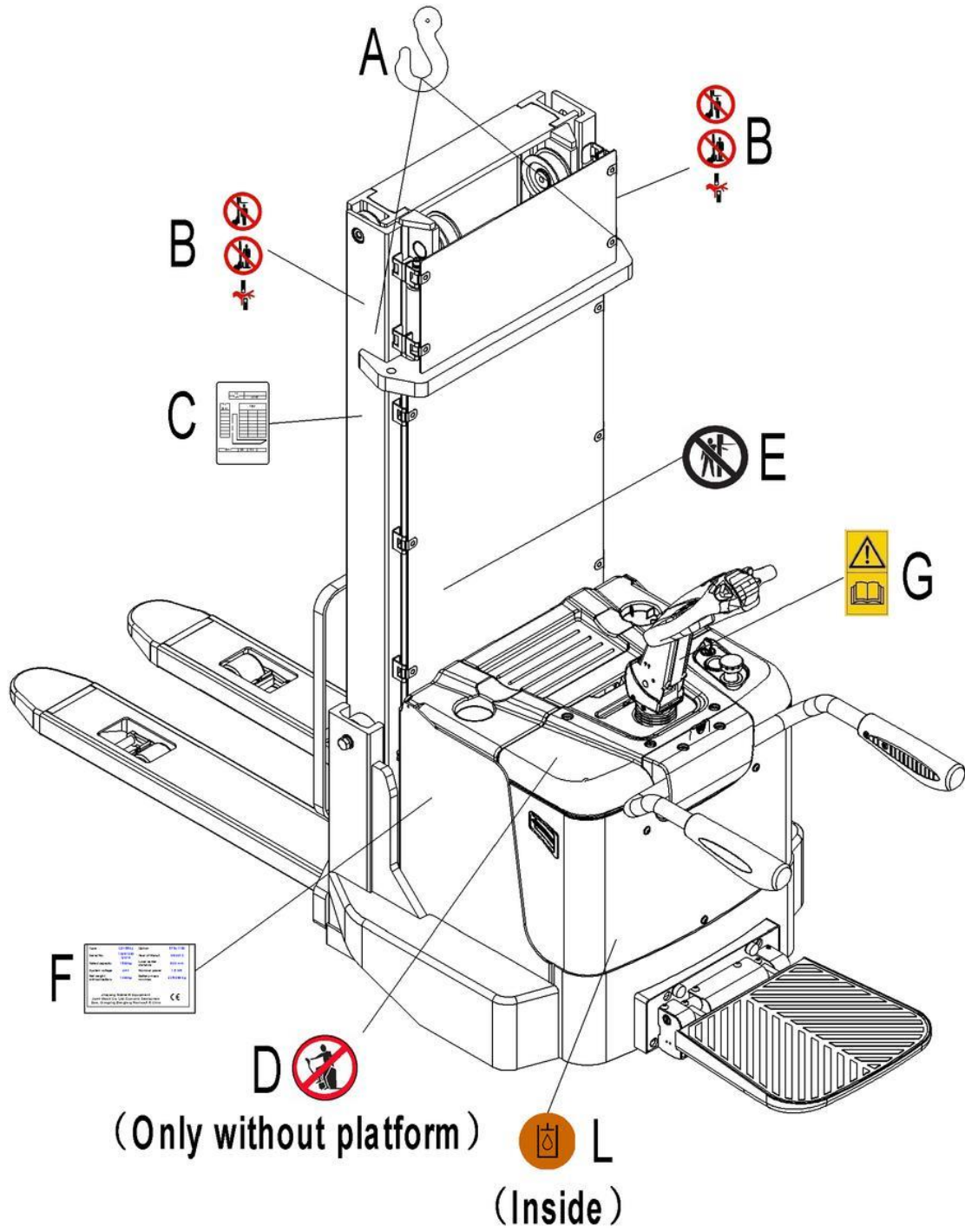


Fig. 1 Label (for EU)

No.	New Art No.	Old Art No.	Description	Qty.	Note
A	941200300001	9000005967	Crane hook label	2	
B	941200100004	9000003923	Warning decal: Do not step under or on the forks	2	
C	532998520001	9000010338	Residual lift capacity sticker	1	
D	941200100003	9000003573	'No passengers' decal	1	
E	941200100006	9000008561	Never reach through	1	
F	532998520002	9000010339	Identification plate	1	
G	941200300002	9000003570	Sticker to read and follow these instructions	1	
L	941200300003	9000008555	Filling sticker	1	

Fig. 2 Label (for US)

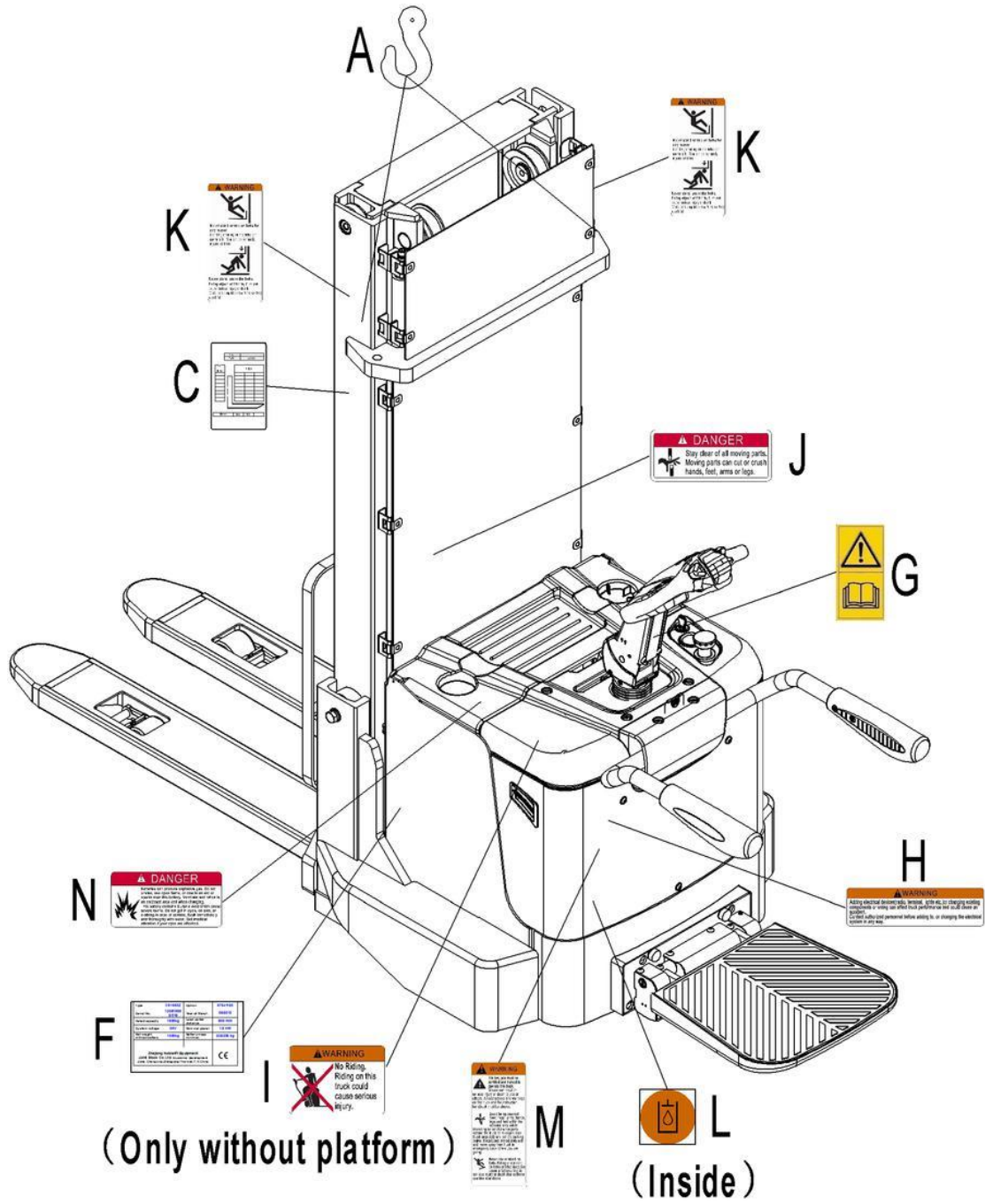


Fig. 2 Label (for US)

No.	New Art No.	Old Art No.	Description	Qty.	Note
A	941200300001	9000005967	Crane hook label	2	
C	532998520001	9000010338	Residual lift capacity sticker	1	
F	532998520002	9000010339	Identification plate (ID-plate)	1	
G	941200300002	9000003570	Sticker to read and follow these instructions	1	
H	941200100010	9000003579	Warning label	1	
I	941200100011	9000003580	Warning label	1	
J	941200100014	9000005970	Warning label	1	
K	941200100016	9000005971	Warning label	2	
L	941200300003	9000008555	Filling sticker	1	
M	941200100009	9000003575	Warning label	1	
N	941200100013	9000003577	Warning label	1	

Fig. 3 Outline

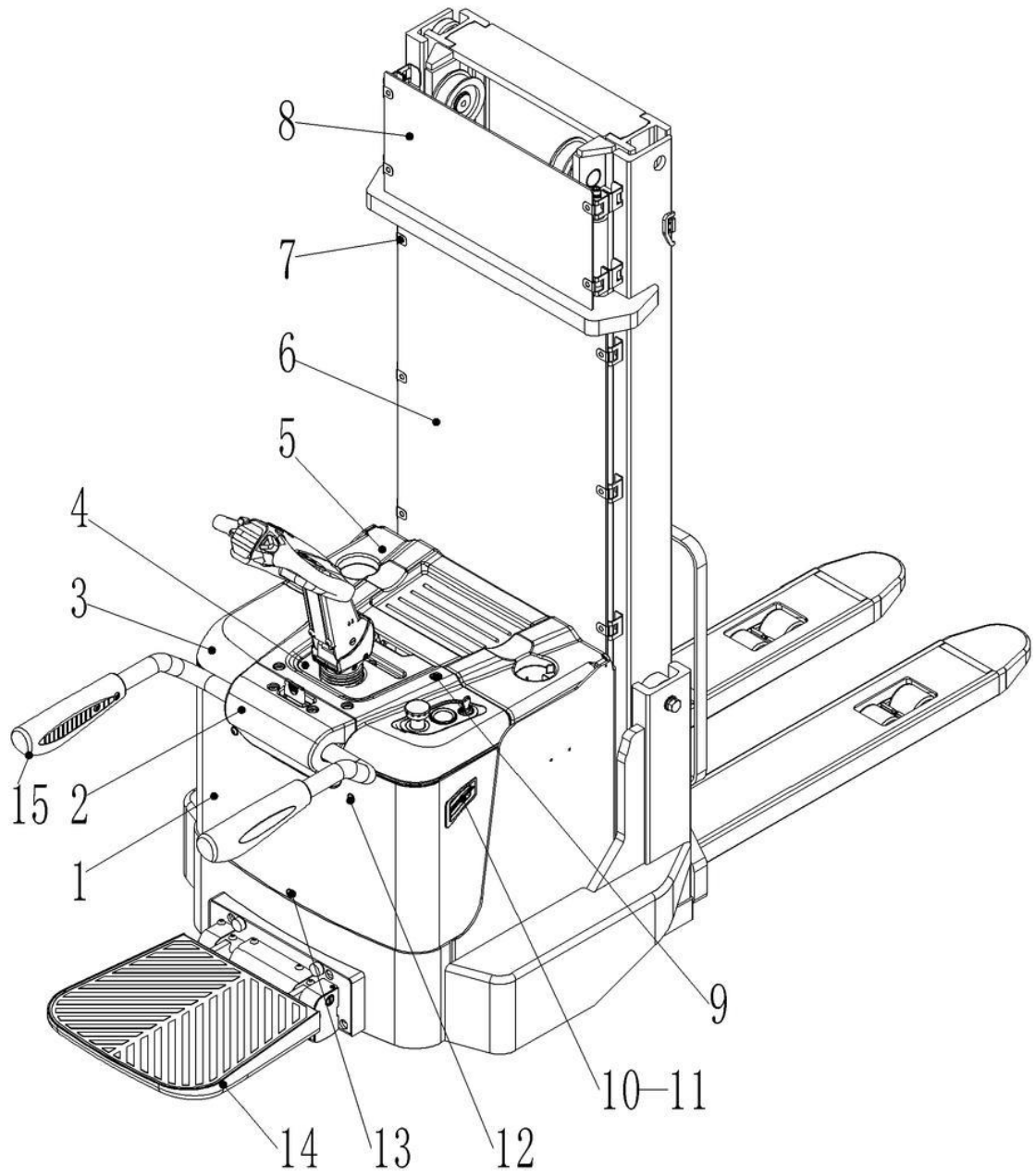


Fig. 3 Outline

No.	New Art No.	Old Art No.	Description	Qty.	Note
1	505621510001	9000008061	Cover	1	
2	505621520025	9000008063	Cover	1	
3	505621520024	9000008062	Cover	1	
4	505621520026	9000008065	Cover	1	
5	532621020001	9000008229	Battery cover	1	
6	532944020023	9000010719	Protective board	1	2900
	532944020024	9000010720			2600
	532944020025	9000010721			3600
7	940400300001	9000007782	Buckle	10	
8	532944020026	9000010722	Protective board	1	
9	941100100002	9000007790	Screw	2	M10X55
10	505621510004	9000007923	Right vents components	1	
11	505621510003	9000007920	Left vents components	1	
12	941100100003	9000007791	Screw	7	M10×35
13	941100100008	9000007793	Screw	1	M10×10
14	505618001000	9000007862	Pedal assembly	1	
15	505617501000	9000007891	Protective arm assembly	1	

Fig. 4 Chassis

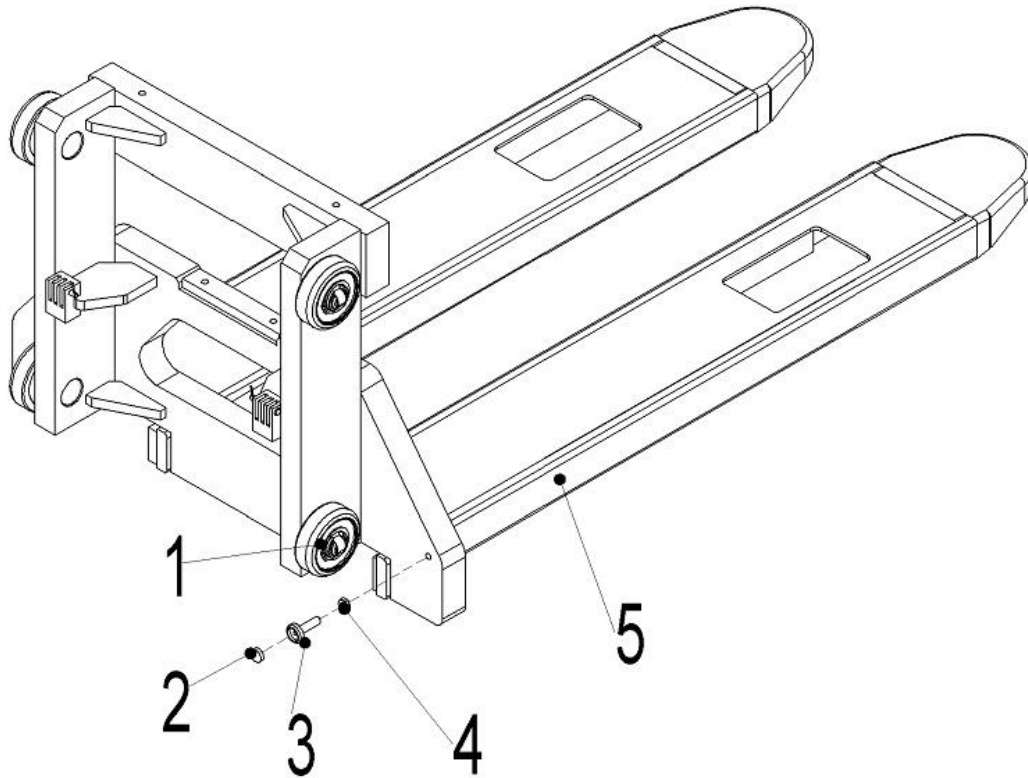


Fig. 4 Chassis

No.	New Art No.	Old Art No.	Description	Qty.	Note	Standard
1	940200300017		Compound roller	4		
2	940600100001	2000435002	Magnet steel	1		
3	940600200002	9000008079	Magnet steel seat	1		
4	910300300005	0000024012	Nut	1	M10	GB/T6172.1=ISO4035
5	532938010000	9000010723	Welded pallet frame	1	570X1150	
	532938010001	9000010724			685X1150	

Fig. 5 Chassis system

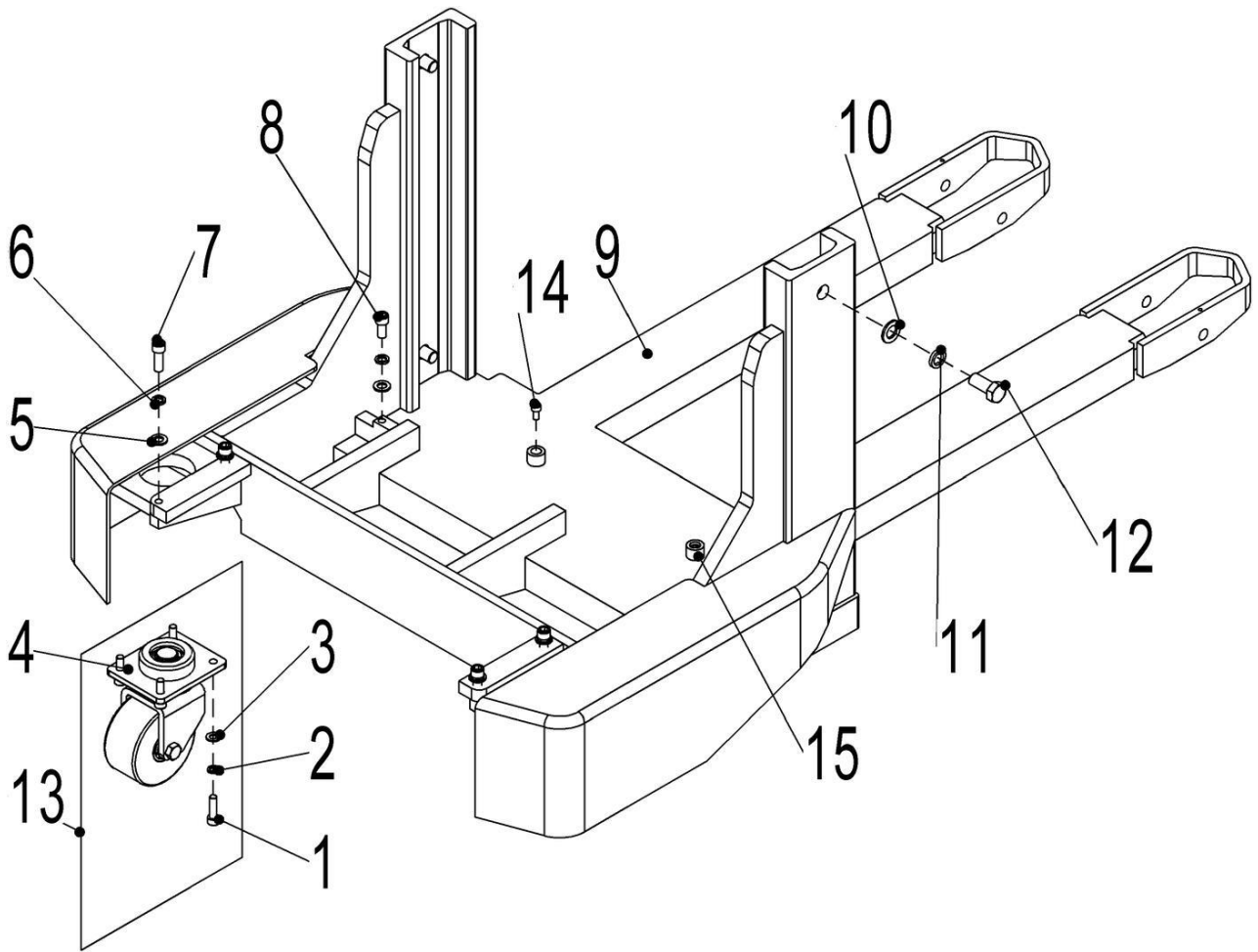


Fig. 5 Chassis system

No.	New Art No.	Old Art No.	Description	Qty.	Note	Standard
1	910200200078	0000023029	Screw	8	M10×35	GB/T70.1=ISO476 2
2	910400500007	0000023006	Washer	8	10	GB/T93
3	910400100007	0000025002	Washer	8	10	GB/T97.1
4	532616510000	2040400001	Steering wheel components	2		
5	910400100008	0000025032	Washer	6	12	GB/T97.1
6	910400500008	0000025024	Washer	6	12	GB/T93
7	910200200099	0000023082	Screw	4	M12x35	GB/T70.1=ISO476 2
8	910200200097	0000023156	Screw	2	M12x25	GB/T70.1=ISO476 2
9	532921510002		Welded chassis	1	570X1150	
	532921510003				685X1150	
10	910400100011		Washer	4	18	GB/T97.1
11	910400500011	0000025022	Washer	4	18	GB/T93
12	910100300080	0000023079	Bolt	4	M18x40	GB/T5783=ISO401 7
13	532698510003	9000010408	Steering wheel kit	2		
14	910200200055		Screw	2		GB/T70.1=ISO476 2
15	532621520062		Cushion	2		

Fig. 6 Steering wheel assembly

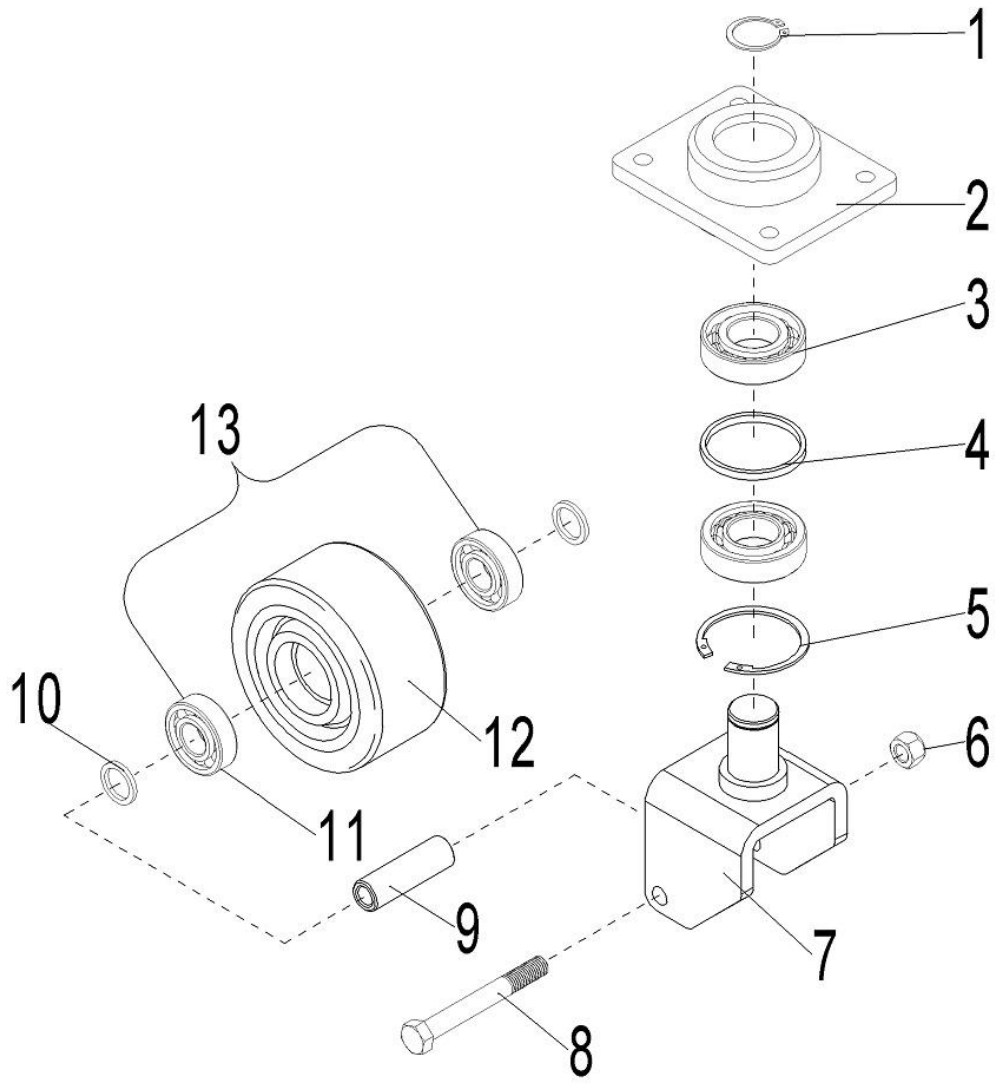


Fig. 6 Steering wheel assembly

No.	New Art No.	Old Art No.	Item	Qty.	Note	Standard
1	910401300016	0000026008	Circlip	1	30	GB/T894.1
2	532616520002	2000405001	Bearing seat	1		
3	910700400004	0000027013	Ball bearing	2	7206C/DB	GB/T292
4	532616520001	2000413001	Sleeve	1		
5	910401400018	0000026010	Circlip	1	62	GB/T893.1
6	910300500007	0000024015	Lock nut	1	M14	GB/T889.1=ISO7040
7	532616510001	2000401007	Rear wheel carrier welding	1		
8	910100100069	0000023111	Bolt	1	M14×100	GB/T5782=ISO4014
9	532616520003	2000413002	Shaft sleeve	1		
10	940600500014	1000525001	Washer	2		
11	910700200019	0000027001	Ball bearing	2	6204	GB/T276
12	940300300019	2020416001	Castor	1	124×60	
13	532698510004	9000003638	Castor wheel	2		

Fig. 7 Load wheel assembly (tandem roller)

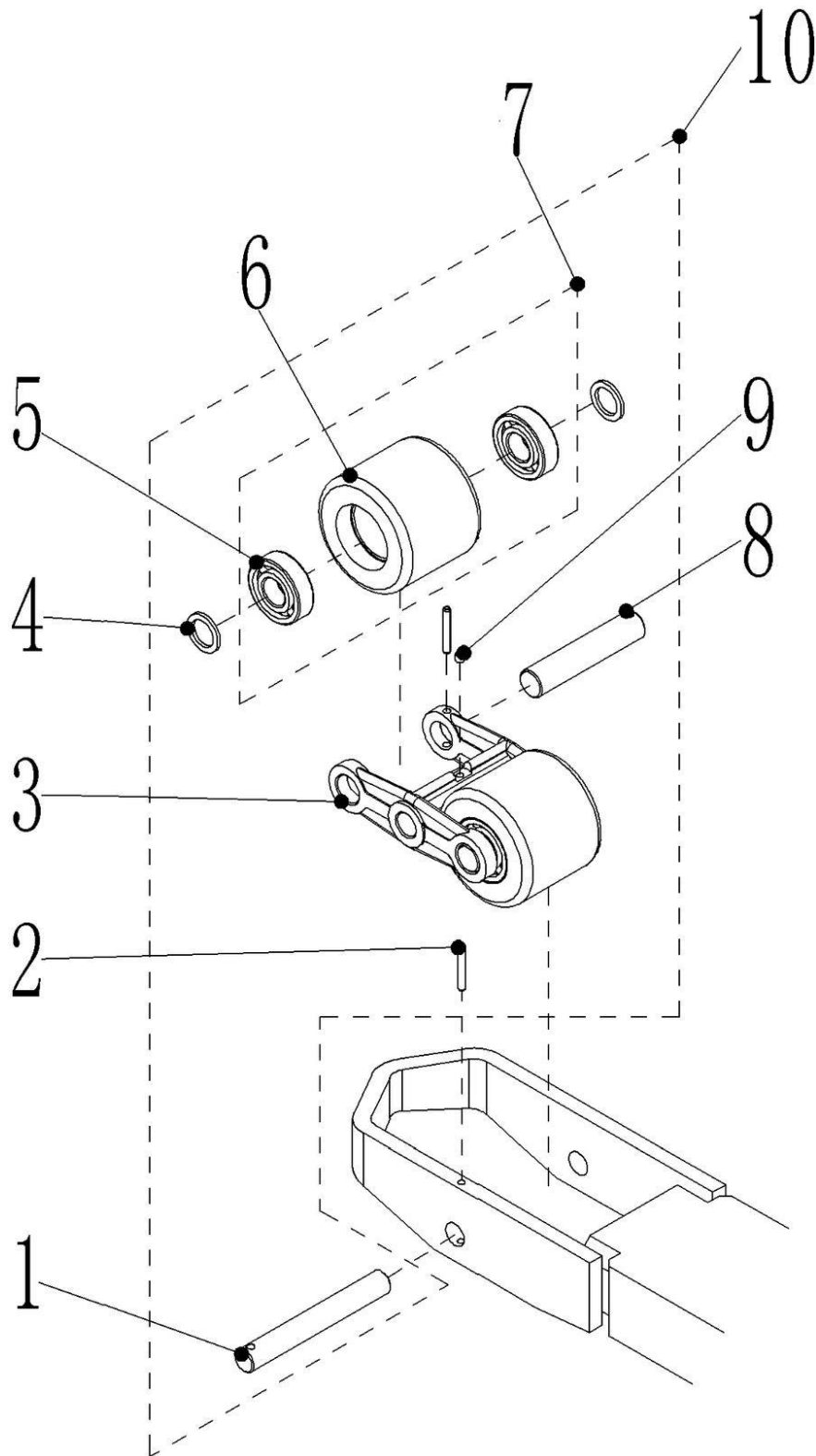


Fig. 7 Load wheel assembly (tandem roller)

No.	New Art No.	Old Art No.	Description	Qty.	Note	Standard
1	504117020003	9000012092	Shaft	2		
2	910600400027		Pin	6	5x35	GB/T879.1=ISO8752
3	504117020004	9000012093	Wheel frame	2		
4	940600500004	9000010718	Washer	8		
5	910700200019	0000027001	Bearing	8	6204	GB/T276
6	940300300009	1000507011	Wheel	4	ø84X70	
7	532098510016	9000010429	Wheel set kit	4		
8	504117020005	9000012094	Shaft	4		
9	911200100001	0000030001	Grease nipples	1	6	JB/T7940.4=ISOB1575
10	532998510000	9000010728	Load roller assembly	2		

Fig. 8 Truck body

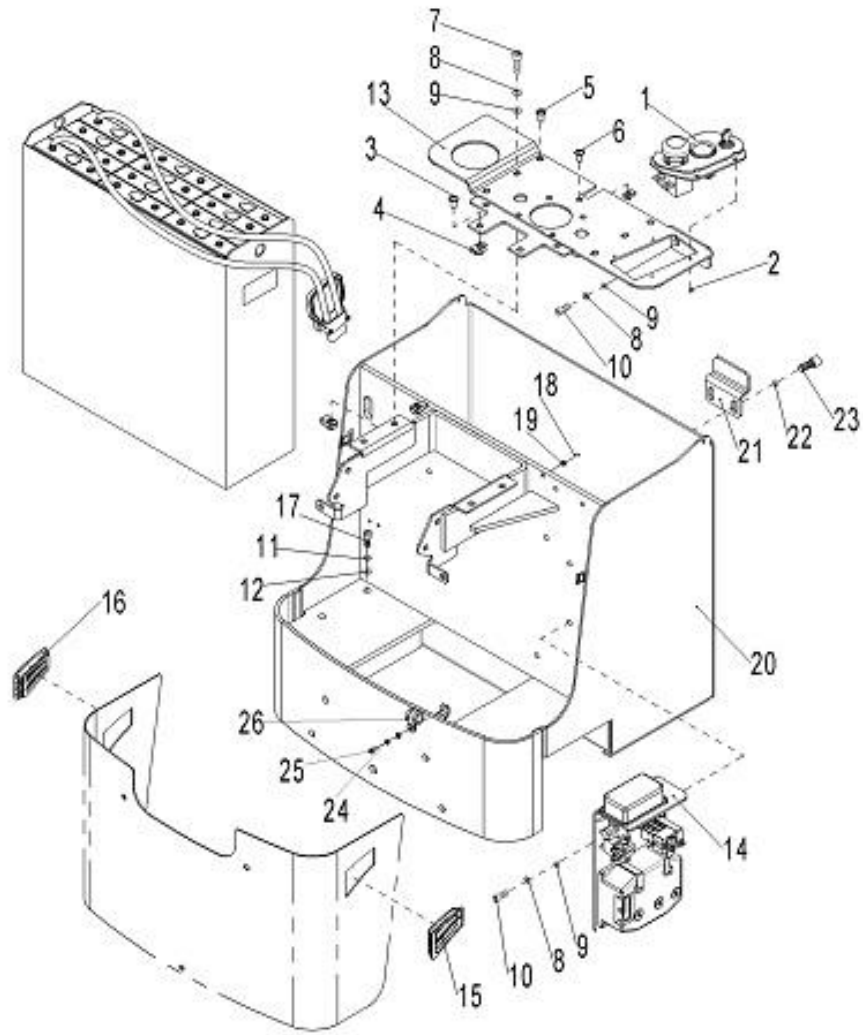


Fig. 8 Truck body

No.	New Art No.	Old Art No.	Description	Qty.	Note	Standard
1	505610001000	9000007940	Instrument assembly	1		
2	910200200036	0000023020	Screw	4	M6×20	GB/T70.1=ISO4762
3	941100100003	9000007791	Screw	4	M10×35	
4	940400400003	9000007783	Nut	13	M10	
5	941100100002	9000007790	Screw	2	M10×55	
6	941100100004	1000423003	Screw	1	M10×30	
7	910200200078	0000023029	Screw	4	M10×35	GB/T70.1=ISO4762
8	910400500007	0000023006	Washer	8	10	GB/T93
9	910400100007	0000025002	Washer	8	10	GB/T97.1
10	910200200075	0000023034	Screw	4	M10×20	GB/T70.1=ISO4762
11	910400500008	0000025024	Washer	4	12	GB/T93
12	910400100008	0000025032	Washer	4	12	GB/T97.1
13	532621520025	9000008240	Board	1		
14	505621520034	9000008069	Electronic control assemble board	1		
15	505621510004	9000007923	Right vent components	1		
16	505621510003	9000007920	Left vent components	1		
17	910200200099	0000023082	Screw	4	M12×35	GB/T70.1=ISO4762
18	910200200060	0000023455	Screw	2	M8×35	GB/T70.1=ISO4762
19	910300100006	0000024026	Nut	2	M8	GB/T6170=ISO4032
20	532621510002	9000008241	Welded body	1		
21	532621520061	9000009080	Upper plate of protective board	2		
22	910400100004	0000025014	Washer 5	5	5	GB/T97.1
23	910200200021	0000023311	Screw M5x10	4	M5x10	GB/T70.1=ISO4762
24	910400500005	0000025010	Washer	1	6	GB/T93
25	910200200033	0000023053	Screw	1	M6x12	GB/T70.1=ISO4762
26	951000100004	9000009545	YGE rubber pipe clamp	1		

Fig. 9 Power supply

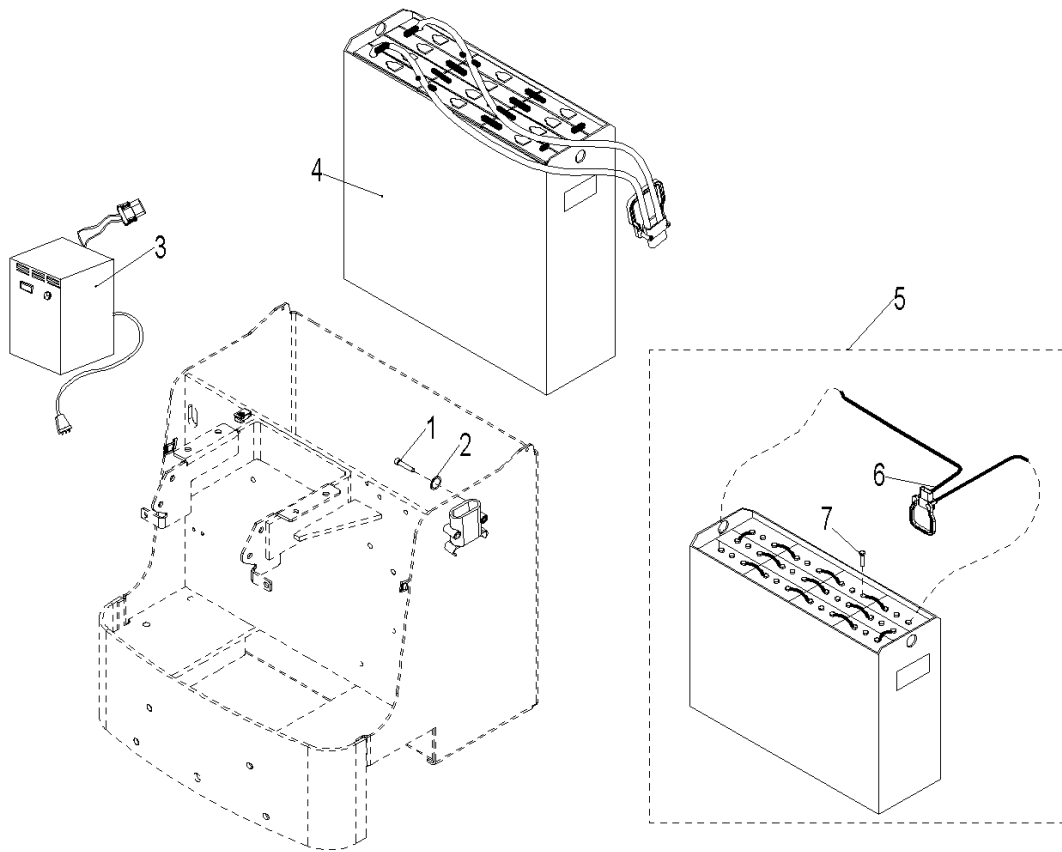


Fig. 9 Power supply

No.	New Art No.	Old Art No.	Description	Qty.	Note	Standard
1	921000200019	0000023106	Screw	2	M6×30	GB/T70.1=ISO4762
2	921000200020	0000023055	Washer	2	6	GB/T97.1
3	921000200021	9000010147	Charger 24V/45A(Asia in Chinese)	1		
	921000200022	9000010148	Charger 24V/45A(Asia in English)			
	921000200023	9000010194	Charger 24V/45A(For EU)			
	921000200024	9000010195	Charger 24V/45A(For AUS)			
	921000200001	9000010196	Charger 24V/45A(For UK)			
	921000200002	9000010197	Charger 24V/45A(For USA)			
4	532637010003	9000008322	Power supply (350Ah) welded type	1		
5	921000200020	9000009835	Power supply (350Ah) bolt type	1		
6	532698510008	9000003988	Connector components (350Ah) (Three-stage mast)	1	Only used for bolt type battery	
7	505698520000	9000009832	Bolt	24		

Fig. 10 Instrument assembly

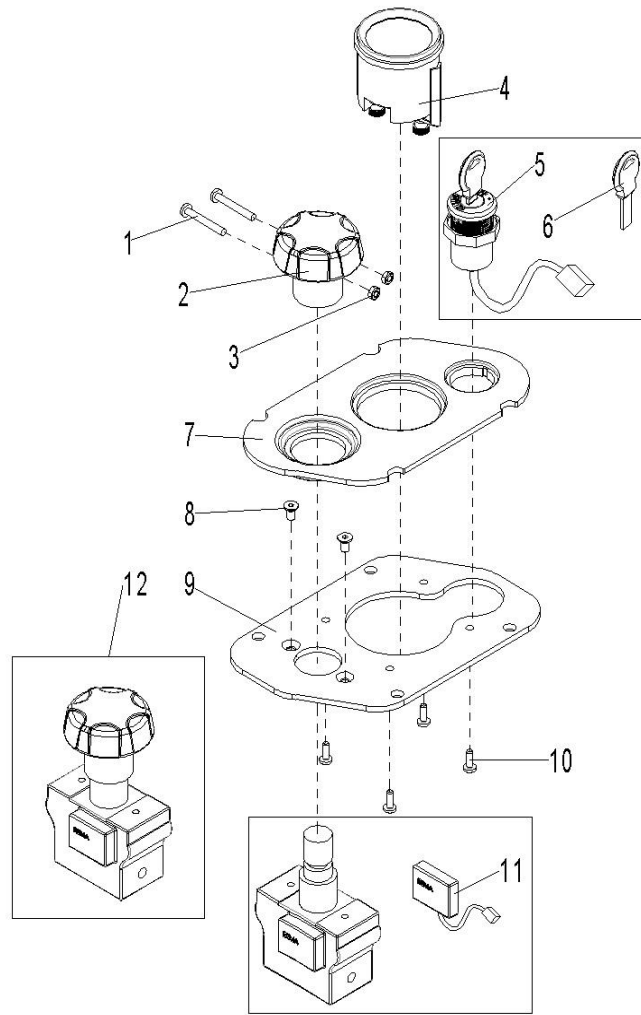


Fig. 10 Instrument assembly

No.	New Art No.	Old Art No.	Description	Qty.	Note	Standard
1	910200500016	0000023685	Screw	2	M3×25	GB/T818-2000=ISO7045
2	505698520029	9000008516	Emergency	1	ZDK32-350	
3	910300100002	0000024002	Nut	2	M3	GB/T6170=ISO4032
4	921100100044		Indicator	1		
5	505602034001	9000008326	Key switch	1	LKS-101A	
6	505698520031	9000008519	Key	1		
7	505610020000	9000007938	Plastic plate	1		
8	910200400010	0000023215	Screw	2	M5×10	GB/T70.3=ISO10642
9	505610020001	9000007939	Fixing plate	1		
10	910201300001	0090000272	Screw	4	M4×12	GB/T6560
11	505698520030	9000008517	Proximity switch	1		
12	920200100001	9000008515	DC power switch	1	ZDK32-350	

Fig. 11 Battery cover assembly

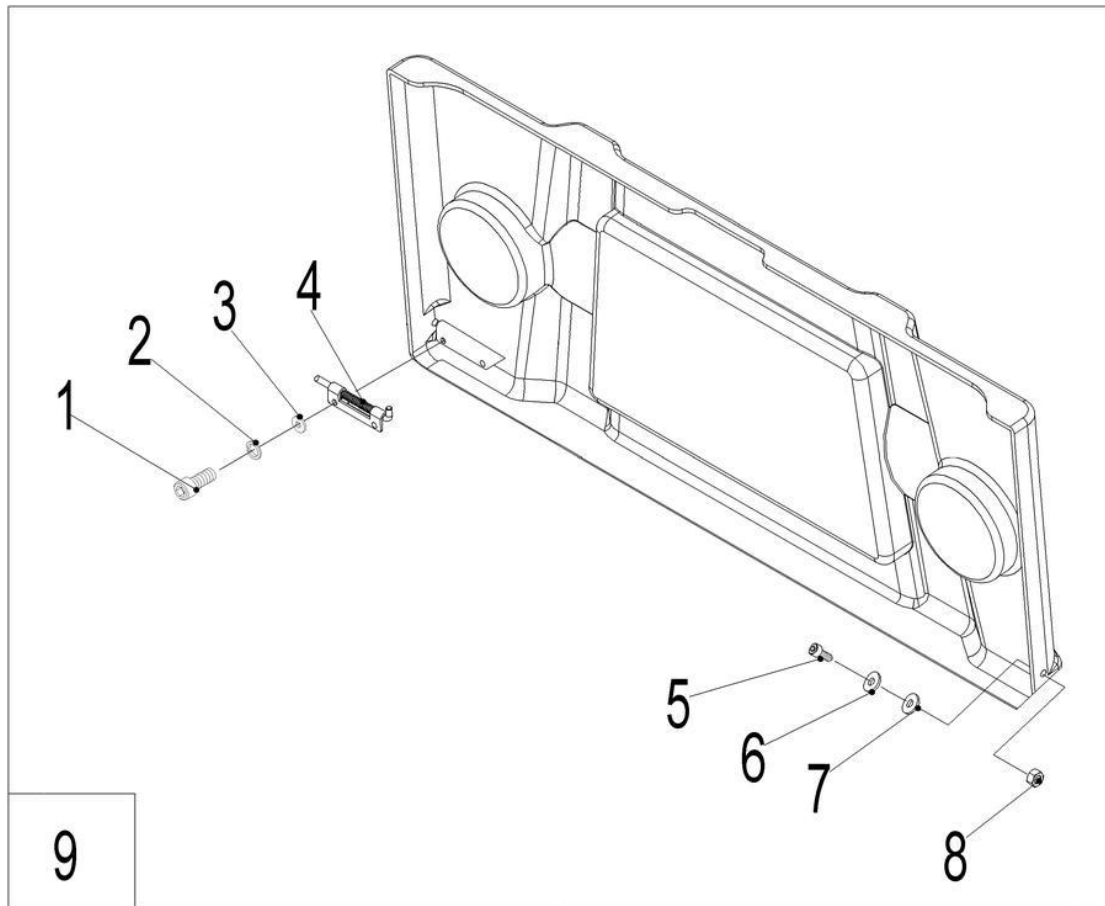


Fig. 11 Battery cover assembly

No.	New Art No.	Old Art No.	Item	Qty.	Note	Standard
1	910200200013	0000023073	Screw	2	M4×10	GB/T70.1=ISO4762
2	910400500003	0000025018	Washer	2	4	GB/T93
3	910400100003	0000025019	Washer	2	4	GB/T95
4	940800900001	9000008795	Pin	1		
5	910200200024	0000023306	Screw	1	M5×20	GB/T70.1=ISO4762
6	910400500004	0000025015	Washer	1	5	GB/T93
7	910400100004	0000025014	Washer	1	5	GB/T95
8	910300300002	0090000636	Nut	1	M5	GB/T6172.1=ISO4035
9	532621001000	9000014328	Battery cover assembly	1		

Fig. 12 Mast system

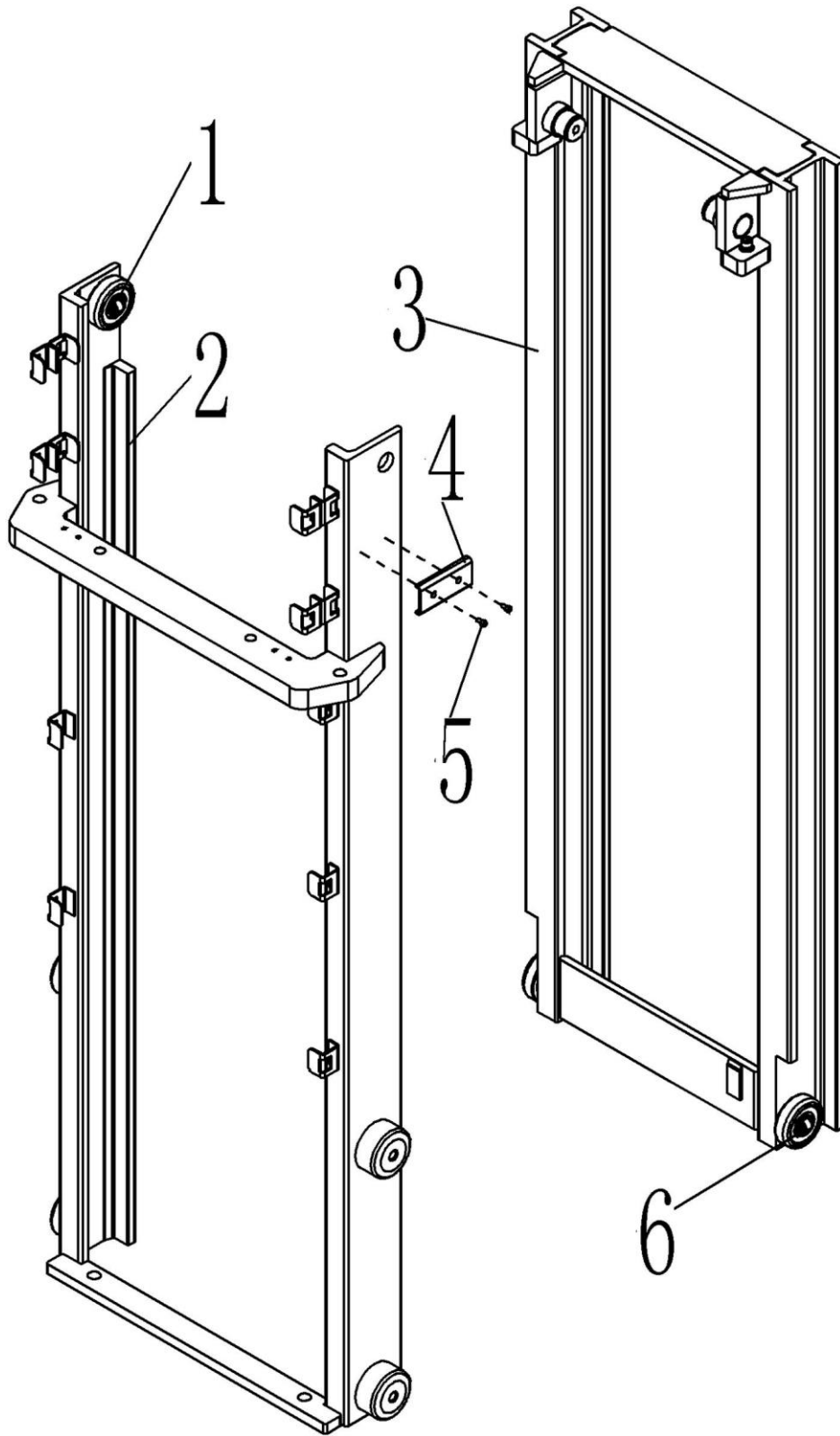


Fig. 12 Mast system

No.	New Art No.	Old Art No.	Description	Qty.	Note
1	940200300020		Compound roller	2	
2	532944010017		Welded mast	1	2900
	532944010019				2600
	532944010021				3600
3	532944010018		Welded mast	1	2900
	532944010020				2600
	532944010022				3600
4	532944010013	9000013694	cover	1	
5	910200200033	0000023053	Screw	2	GB/T70.1=ISO4762
6	940200300022		Compound roller	2	

Fig. 13 Mast lifting system

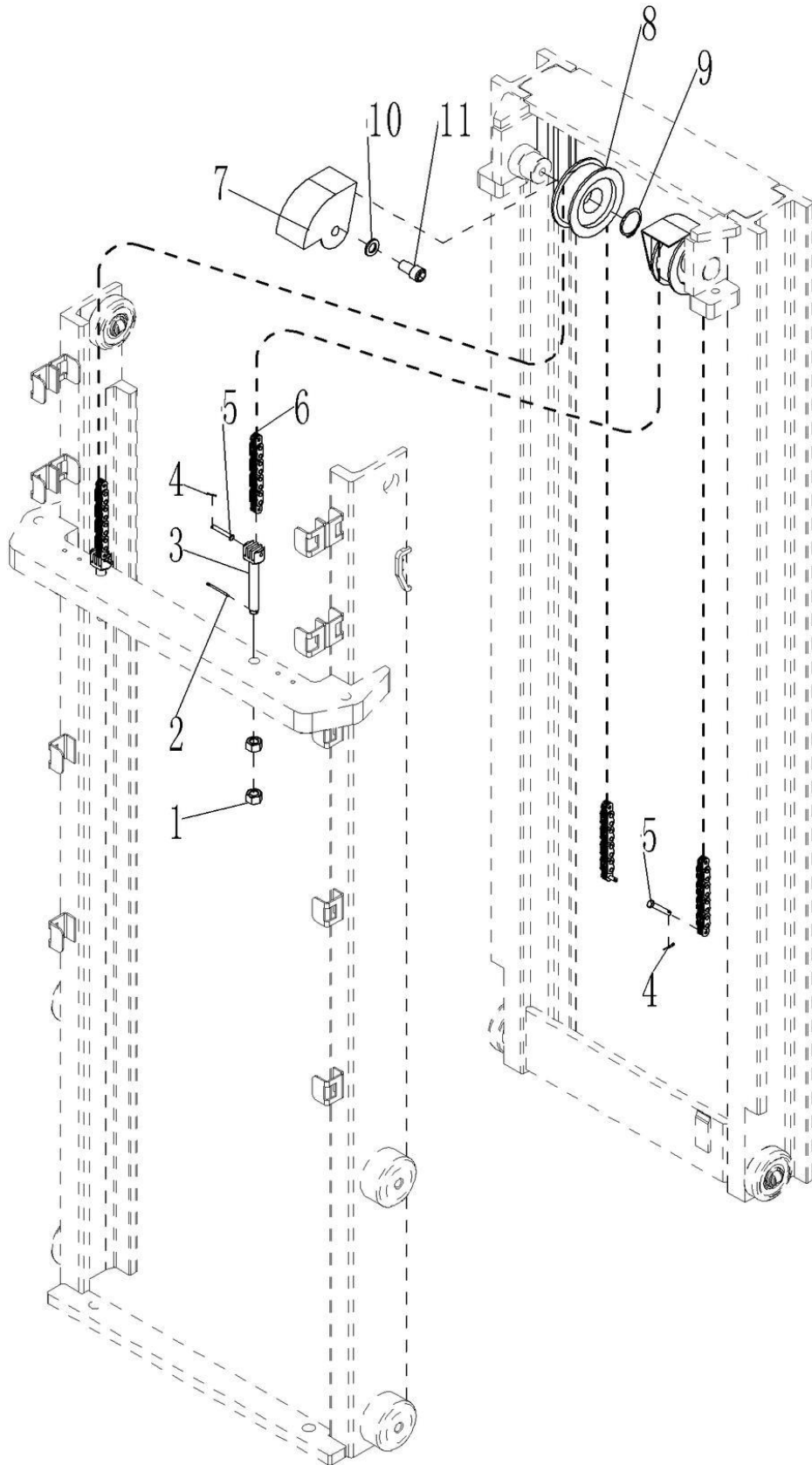


Fig. 13 Mast lifting system

No.	New Art No.	Old Art No.	Description	Qty.	Note	Standard
1	910300200008	0000024042	Nut	4	M16x1.5	GB/T6171=ISO8673
2	910600600023	0000028011	Pin	2	3x40	GB/T91=ISO1234
3	941300100008	9000008260	Bolt	2		
4	910600600015	0000028010	Pin	4	2x20	GB/T91=ISO1234
5	910600700019	0000028030	Pin axle	4	6x45	GB/T882=ISO2341
6	532644510074	0090000540	Chain	2	LH1066x135, 2900	GB/T882=ISO2341
	532944010015	0090000661			LH1066x125, 2600	
	532944010016	0090000662			LH1066x157, 3600	
7	532944010012	9000010747	Cover	2		
8	940200500002	9000007762	Chain wheel	2		
9	910401300022	0000026049	Circlip	2	45	GB/T894.1
10	910400100010		Nut	2	16	GB/T97.1
11	910200200119	0000023438	Screw	2	M16x30	GB/T70.1=ISO4762

Fig. 14 Mast other accessories

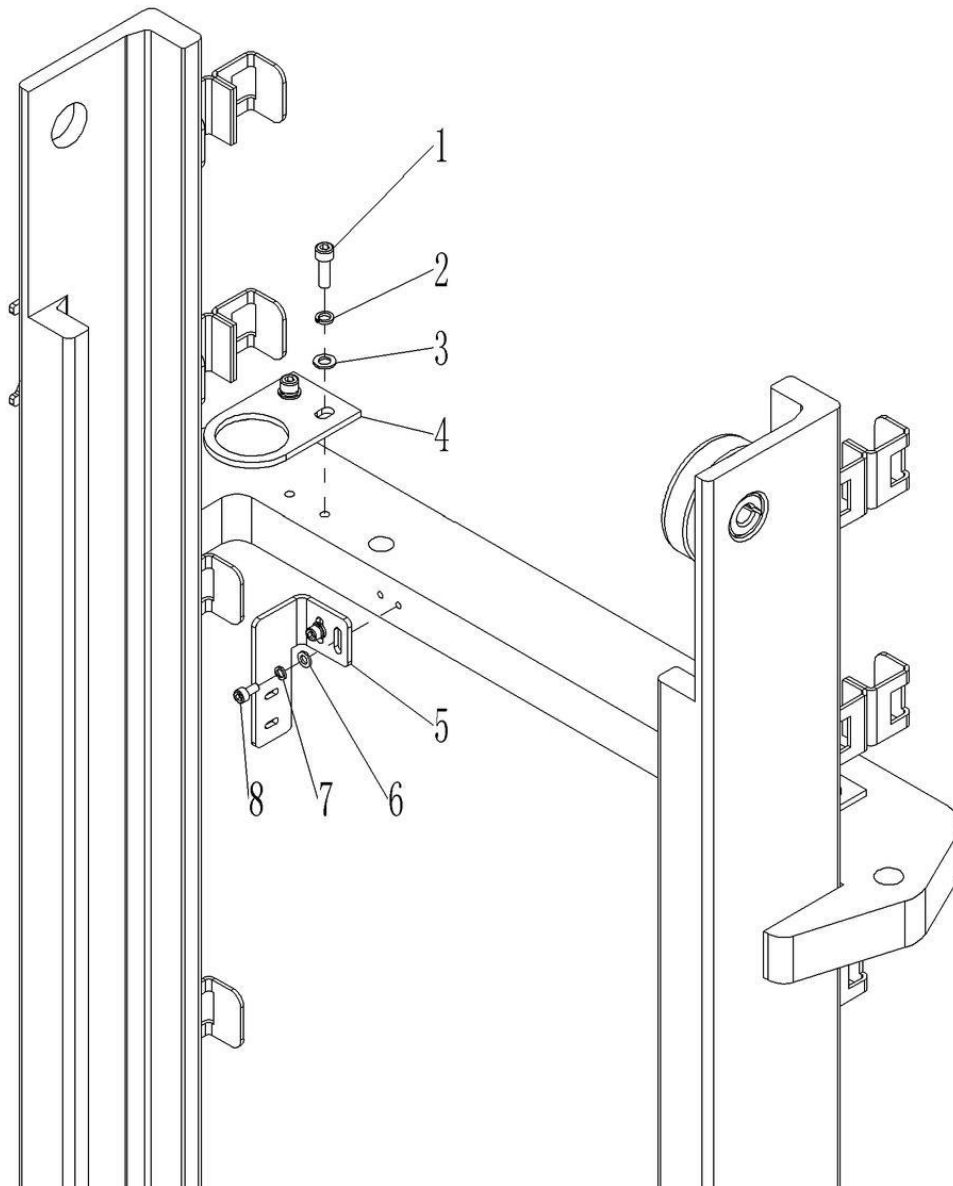


Fig. 14 Mast other accessories

No.	New Art No.	Old Art No.	Description	Qty.	Note	Standard
1	910200200058	0000023047	Screw	4	M8x25	GB/T70.1=ISO4762
2	910400500006	0000025001	Washer	4	8	GB/T93
3	910400100006		Washer	4	8	GB/T97.1
4	532944020028	9000010735	Fixing plate	2		
5	532944020027	9000010736	Assembly board	1		
6	910200200033	0000023053	Screw	2	M6x12	GB/T70.1=ISO4762
7	910400500005	0000025010	Washer	2	6	GB/T93
8	910400100005		Washer	2	6	GB/T97.1

Fig. 15 Hydraulic system

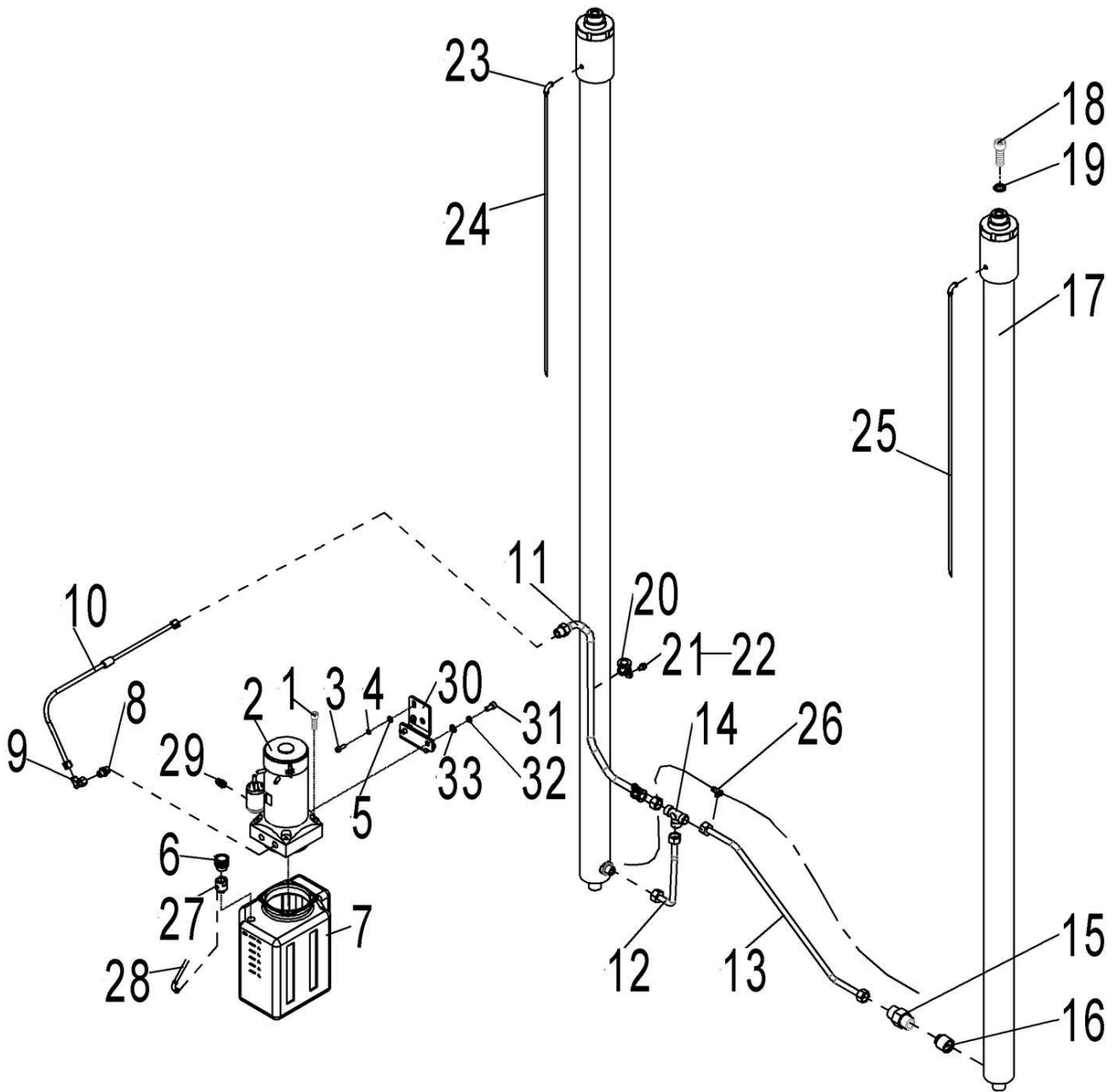


Fig. 15 Hydraulic system

No.	New Art No.	Old Art No.	Description	Qty.	Note	Standard
1	910200200040	0000023090	Screw	4	M6×35	GB/T70.1=ISO4762
2	950900100064		DC hydraulic power unit body	1		
3	910200200057	0000023044	Screw	2	M8×20	GB/T70.1=ISO4762
4	910400500006	0000025001	Washer	2	8	GB/T93
5	910400100006		Washer	2	8	GB/T97.1
6	951100200004		Hydraulic cylinder cover	1		
7	532619020006		Oil tank	1		
8	950400300007	9000007832	G end direct connection pipe joint	1		
9	950400200003	9000007838	Steering connecting bend	1		
10	532624020010	9000010283	Tube	1		
11	532624020001	9000008250	Pump station outlet steel pipe	1		
12	532924020000	9000010737	Tube	1		
13	532924020001	9000010738	Tube	1		
14	950400700002	9000007846	Joint	1		
15	950400400003	9000007842	Joint	2		
16	950600300001	2000337001	Safety valve	2		
17	532944010000	9000010739	cylinder	2	2900	
	532944010001	9000010740	cylinder	2	2600	
	532944010002	9000010741	cylinder	2	3600	
18	910200200098	0000023094	Screw	2	M12×30	GB/T70.1=ISO4762
19	910400100008		Washer	2	12	GB/T97.1
20	951000100003	9000008324	YGE rubber pipe clamp	2		
21	910200200032	0000023042	Screw	2	M6×10	GB/T70.1=ISO4762
22	910400100005	0000023055	Washer	2	6	GB/T97.1
23	950500100001	2010317002	Joint	3		
24	532944020029	9000010748	pipe	1	2900	
	532944020030	9000010742	pipe		2600	
	532944020031	9000010743	pipe		3600	
25	532944020032	9000010744	pipe	1	2900	
	532944020033	9000010745	pipe		2600	
	532944020034	9000010746	pipe		3600	
26	950500200001	2250317004	Joint	1		
27	533223520000		Steering connecting elbow	1		
28	532924020002	9000010749	pipe	1		
29	950600400001	9000011773	throttle valve	1		
30	532619020005		Plate	1		
31	910200200075		Screw	2		GB/T70.1=ISO4762
32	910400500007		Washer	2		GB/T93
33	910400100007		Washer	2		GB/T97.1

Fig. 16 Cylinder

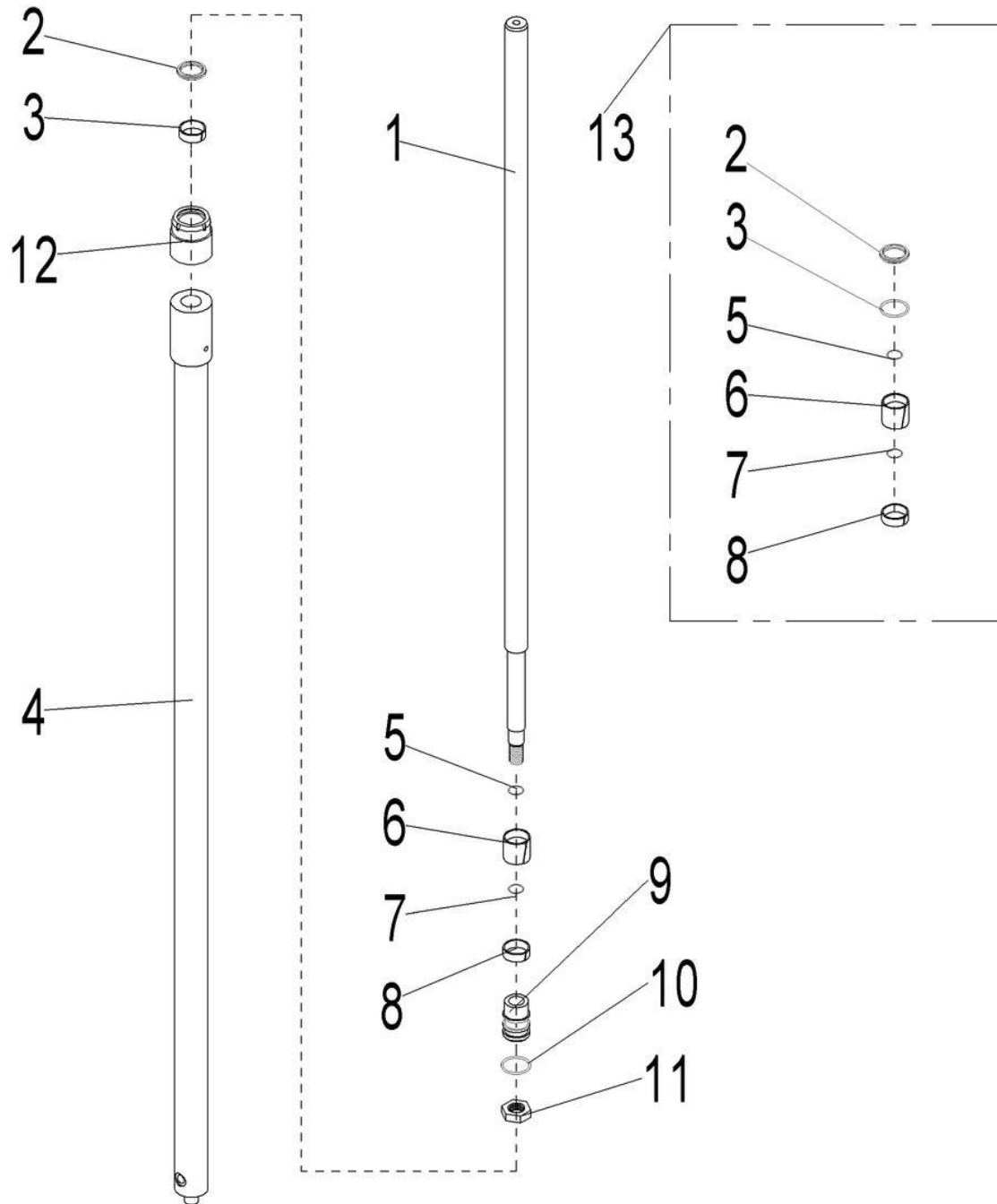


Fig. 16 Cylinder

No.	New Art No.	Old Art No.	Item	Qty.	Note	Standard
1	532998520003	9000010752	Piston rod	2	2900	
	532998520004	9000010753			2600	
	532998520005	9000010754			3600	
2	532498520003	9000009718	Dust cover	2		
3	532998520006	9000010760	Support ring for shaft	2		
4	532998510002	9000010755	Cylinder body	2	2900	
	532998510003	9000010756			2600	
	532998510004	9000010757			3600	
5	910800100007	0000022153	O ring	2	40x3.1	
6	533598520035	9000008955	Support ring for hole	2		
7	910800100072	0000022014	O ring	4	25x3.1	
8	532998520007	9000010761	Y ring for hole	2	30X40X6/7	
9	532998520008	9000010758	Piston	2		
10	910400500012	0000025033	Washer	2	20	GB/T93
11	910300200005	0000024074	Nut	2	M20x1.5	GB/T6171=ISO8673
12	532998520009	9000010759	Coer	2		
13	532998510005	9000010750	Cylinder seal kit	2		

Fig. 17 Manual steering wheel carrier

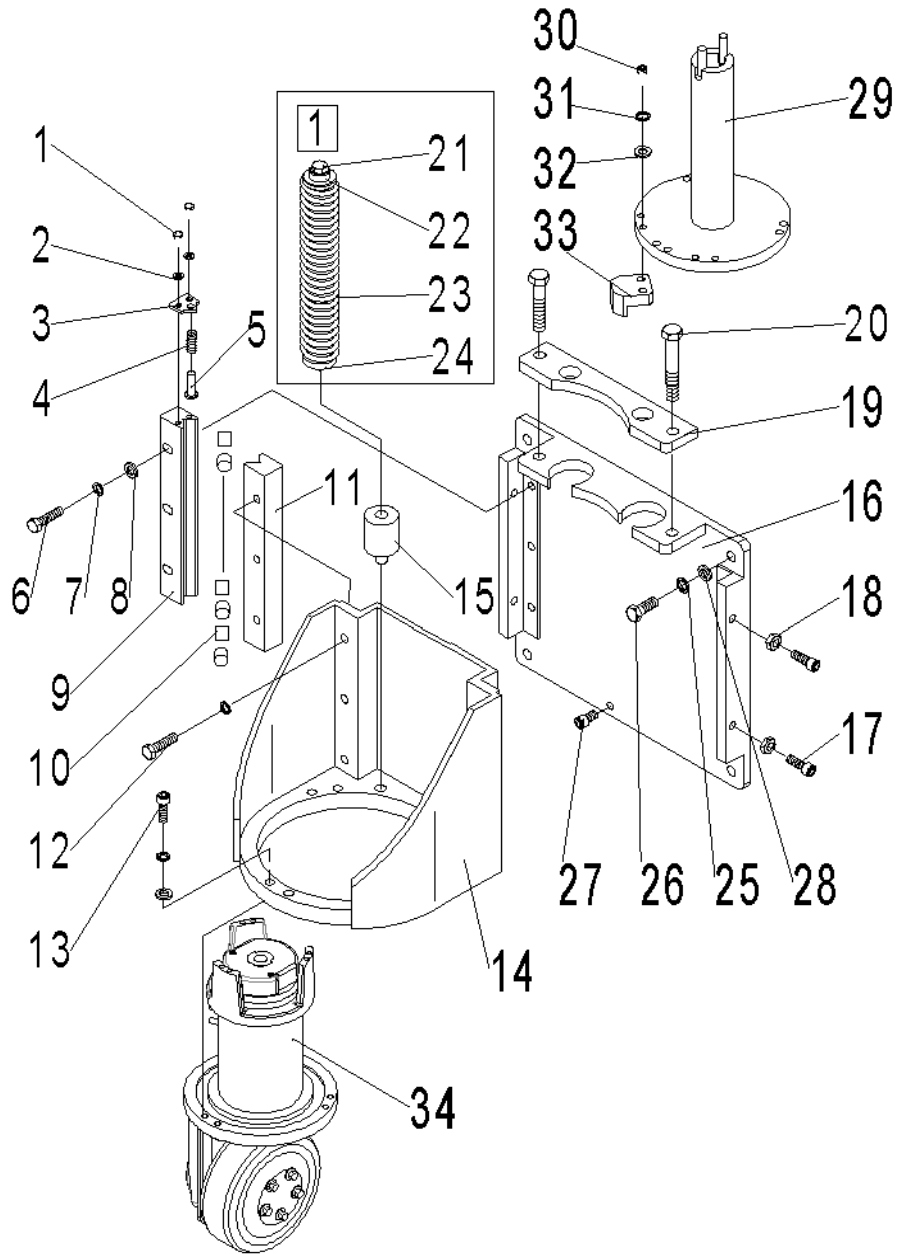


Fig. 17 Manual steering wheel carrier

No.	New Art No.	Old Art No.	Item	Qty.	Note	Standard
1	910200200032	0000023042	Screw	8	M6×10	GB/T70.1=ISO4762
2	910400500005	0000025010	Washer	8	6	GB/T93
3	532613520018	2000202006	End cover	4		
4	532613520020	2000231001	Spring	4		
5	532613520019	2000207001	Spring spindle	4		
6	910200200080	0000023099	Screw	6	M10×45	GB/T70.1=ISO4762
7	910400500007	0000023006	Washer	18	10	GB/T93
8	910400100007	0000025002	Washer	18	10	GB/T95
9	532613520015	2000202004	V type outer block	2		
10	532613520016	2000202008	Roller	24		
11	532613520017	2000202005	V type inner block	2		
12	910200200079	0000023025	Screw	6	M10×40	GB/T70.1=ISO4762
13	910200200080	0000023099	Screw	6	M10×45	GB/T70.1=ISO4762
14	532613510003	2000201005	Wheel carrier welding	1		
15	532613520014	2000202003	Cushion block	2		
16	532613510002	2000201004	Supporting frame welding	1		
17	910201100001		Screw	4	M10×30	GB/T821
18	910300300005	0000024012	Thin nut	4	M10	GB/T6172.1=ISO4035
19	532613520013	9000008321	Top plate	1		
20	910100300066	0000023095	Full thread bolt	2	M14×60	GB/T5783=ISO4017
21	941100200001	2000223001	Screw	2	M10×180	
22	532613520003	2000208001	Spring guide sleeve	2		
23	532613520002	9000012451	Spring	2		
24	532613520001	2000212001	Spring guide rod	2		
25	910400500008	0000025024	Washer	4	12	GB/T93
26	910200200098	0000023094	Screw	4	M12×30	GB/T70.1=ISO4762
27	910200200089	0000023098	Screw	1	M12×10	GB/T70.1=ISO4762
28	910400100008	0000025032	Washer	4	12	GB/T95
29	532631210001	9000008257	Handle shaft welding	1		
30	910200200059	0000023172	Screw	6	M8×30	GB/T70.1=ISO4762
31	910400500006	0000025001	Washer	10	8	GB/T93
32	910400100006	0000025011	Washer	6	8	GB/T95
33	532631220001	2000202001	Limit block	2		
34	940900400001	9000007774	Vertical type drive	1	7EL-AC-1.3	
35	910200300026	0090000859	Screw	4	M8x25	GB/T70.2=ISO7380
1	532613510001	9000012452	Spring assembly	2		

Fig. 18 Electric power assisted steering wheel carrier

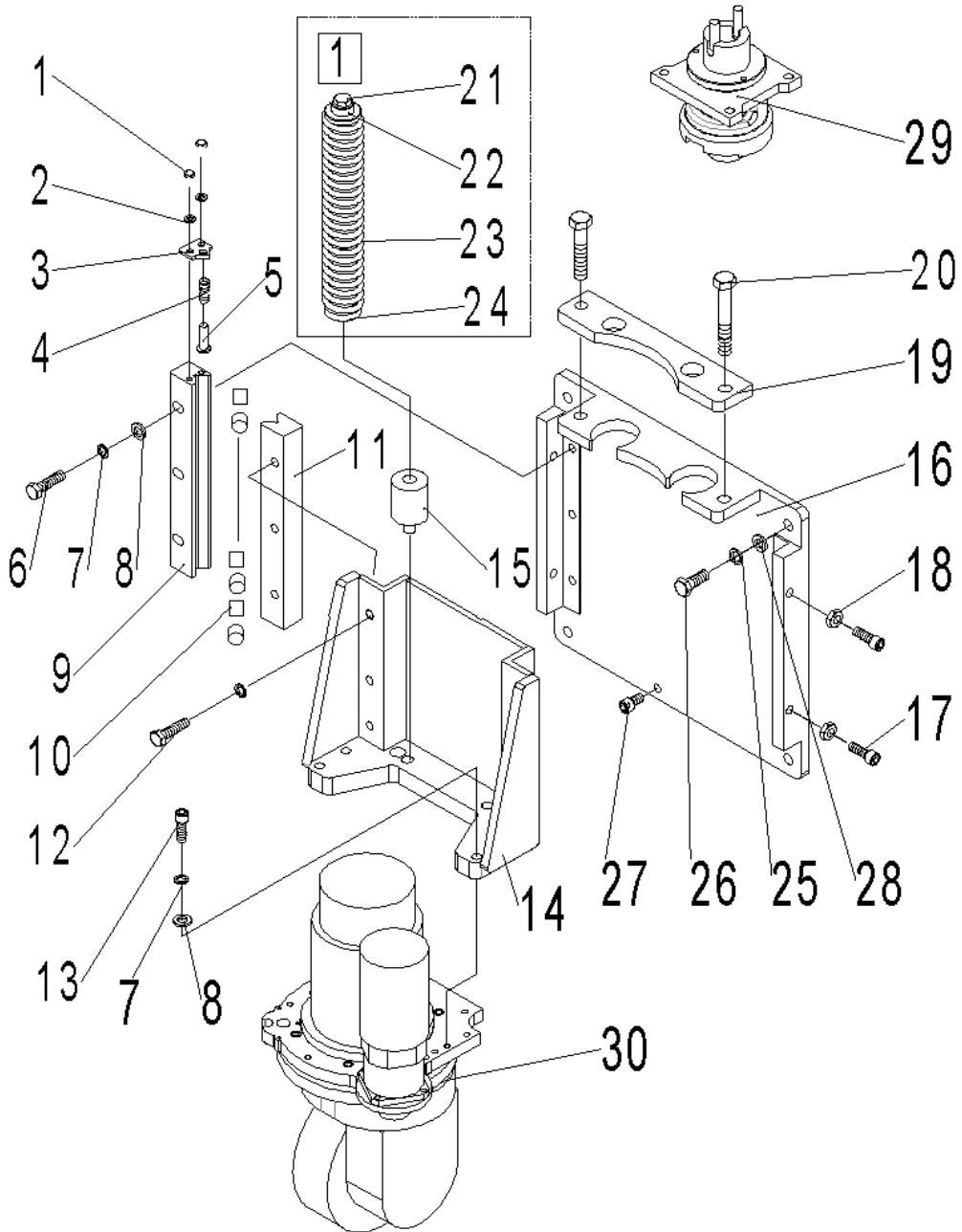


Fig. 18 Electric power assisted steering wheel carrier

No.	New Art No.	Old Art No.	Item	Qty.	Note	Standard
1	910200200032	0000023042	Screw	8	M6×10	GB/T70.1=IS
2	910400500005	0000025010	Washer	8	6	GB/T93
3	532613520018	2000202006	End cover	4		
4	532613520020	2000231001	Spring	4		
5	532613520019	2000207001	Spring spindle	4		
6	910200200080	0000023099	Screw	6	M10×45	GB/T70.1=IS
7	910400500007	0000023006	Washer	18	10	GB/T93
8	910400100007	0000025002	Washer	22	10	GB/T95
9	532613520015	2000202004	V type outer block	2		
10	532613520016	2000202008	Roller	24		
11	532613520025	9000007685	V type inner block	2		
12	910200200079	0000023025	Screw	6	M10×40	GB/T70.1=IS
13	910200200080	0000023099	Screw	6	M10×45	GB/T70.1=IS
14	532613510004	9000007680	Wheel carrier welding	1		
15	532613520014	2000202003	Cushion block	2		
16	532613510002	2000201004	Supporting frame welding	1		
17	910201100001		Screw	4	M10×30	GB/T821
18	910300300005	0000024012	Thin nut	4	M10	GB/T6172.1=
19	532613520013	9000008321	Top plate	1		
20	910100300066	0000023095	Bolt	2	M14×60	GB/T5783=IS
21	941100200001	2000223001	Screw	2	M10×180	
22	532613520003	2000208001	Spring guide sleeve	2		
23	532613520002	9000012451	Spring	2		
24	532613520001	2000212001	Spring guide rod	2		
25	910400500008	0000025024	Washer	4	12	GB/T93
26	910200200098	0000023094	Screw	4	M12×30	GB/T70.1=IS
27	910200200089	0000023098	Screw	1	M12×10	GB/T70.1=IS
28	910400100008	0000025032	Washer	4	12	GB/T95
29	505631510000	9000007686	Electronic steering assembly	1		
30	940900500003	9000012138	Drive wheel assembly	1	26ELB-AC-1. 3KW-R	
①	532613510001	9000012452	Spring assembly	2		

Fig. 19 Electric steering assembly

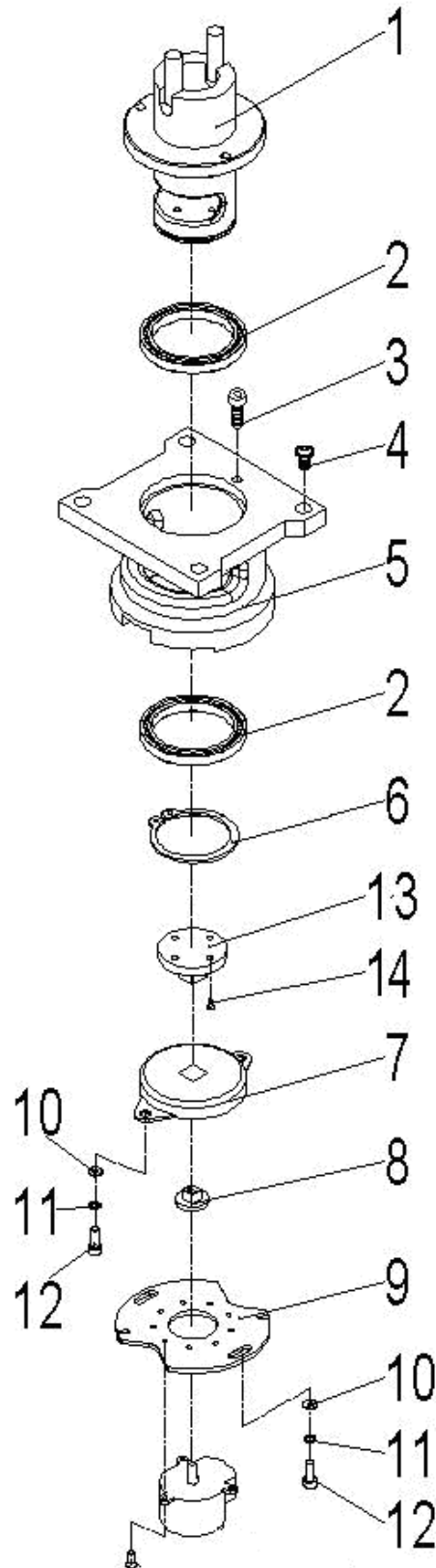


Fig. 19 Electric steering assembly

No.	New Art No.	Old Art No.	Item	Qty.	Note	Standard
1	505631510001	9000007422	Bearing seat welding	1		
2	910700200041	9000000240	Ball bearing	2	65×50×7	GB/T276
3	910200200032	0000023042	Screw	3	M6×10	GB/T70.1=ISO4762
4	910200200075	0000023034	Screw	4	M10×20	GB/T70.1=ISO4762
5	505631520002	9000007423	Fixing seat	1		
6	910401300024	0000026043	Retainer ring for shaft	1	50	GB/T894.1
7	940801200001	9000007806	Damper	1		
8	505631520003	9000007421	Transition linking block	1		
9	505731520001		Potentiometer fixing plate	1		
10	910400100004	0000023032	Washer	4	5	GB/T95
11	910400500004	0000025015	Washer	4	5	GB/T93
12	910200200023		Screw	4	M5×16	GB/T70.1=ISO4762
13	505631520005	9000007424	Linking block	1		
14	910200200013	0000023073	Screw	4	M4×10	GB/T70.1=ISO4762

Fig. 20 7EL-AC-1.3 Drive wheel assembly

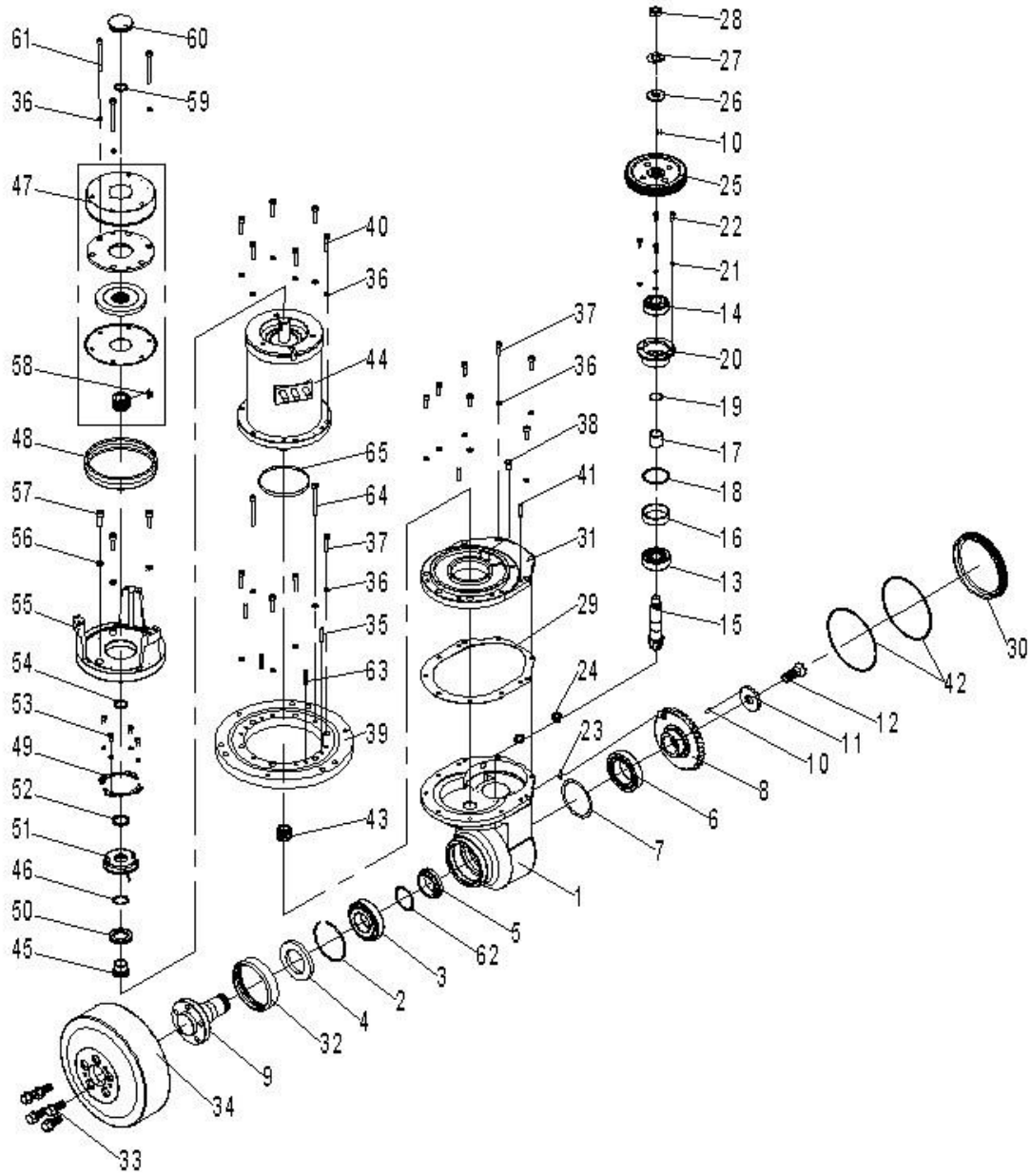


Fig. 20 7EL-AC-1.3 Drive wheel assembly

No.	New Art No.	Old Art No.	Item	Qty.	Note	Standard
1	505698520056	9000009493	Gear box	1		
2	940998520031	9000009494	Retainer ring	1		
3	910700600040	0090000116	Bearing	1	30208	GB/T297
4	505698520058	0090000505	Oil seal	1	50×80×8	GB/T9877
5	940998520032	9000009496	Bushing	1		
6	910700600041	0000027031	Bearing	1	32010	GB/T297
7	940998520035	9000009497	Adjusting washer	1		
8	505698520061	9000009498	Gear	1		
9	505698520062	9000009499	Drive wheel	1		
10	505698520063	0090000117	Roll pin	2	4×12	GB/T119.1=ISO2338
11	505698520064	9000009500	Retainer ring	1		
12	505698520065	9000009501	Bolt	1		
13	910700600042	0090000502	Bearing	1	32304	GB/T297
14	910700600025	0090000503	Bearing	1	32204	GB/T297
15	505698520066	9000009502	Gear	1		
16	505698520067	9000009503	Outer thimble	1		
17	505698520068	9000009504	Inner thimble	1		
18	940998520021	9000009505	Adjusting washer	1		
19	505698520070	9000009506	Adjusting washer	1		
20	505698520071	9000009507	Shaft block	1		
21	910400500017	0000025012	Washer	8	5	GB/T93
22	910200300041	0000023675	Screw	4	M5×16	GB/T70.2=ISO7380
23	910800900007	0000022036	Combination washer	3	12	JB/T982
24	201098520019	0090000506	Plug			JB/ZQ4444
25	505698520072	9000009508	Big gear	1		
26	505698520073	9000009509	Washer	1		
27	910401000005	0000025066	Washer	1	14	GB/T856
28	910300400005	0090000090	Nut	1	M14×1.5	GB/T6173=ISO8675
29	505698520074	9000009510	Washer	1		
30	505698520075	9000009511	Side cover	1		
31	505698520076	9000009512	Upper cover	1		
32	505698520077	9000009513	Dust cover	1		

Fig. 20 7EL-AC-1.3 Drive wheel assembly

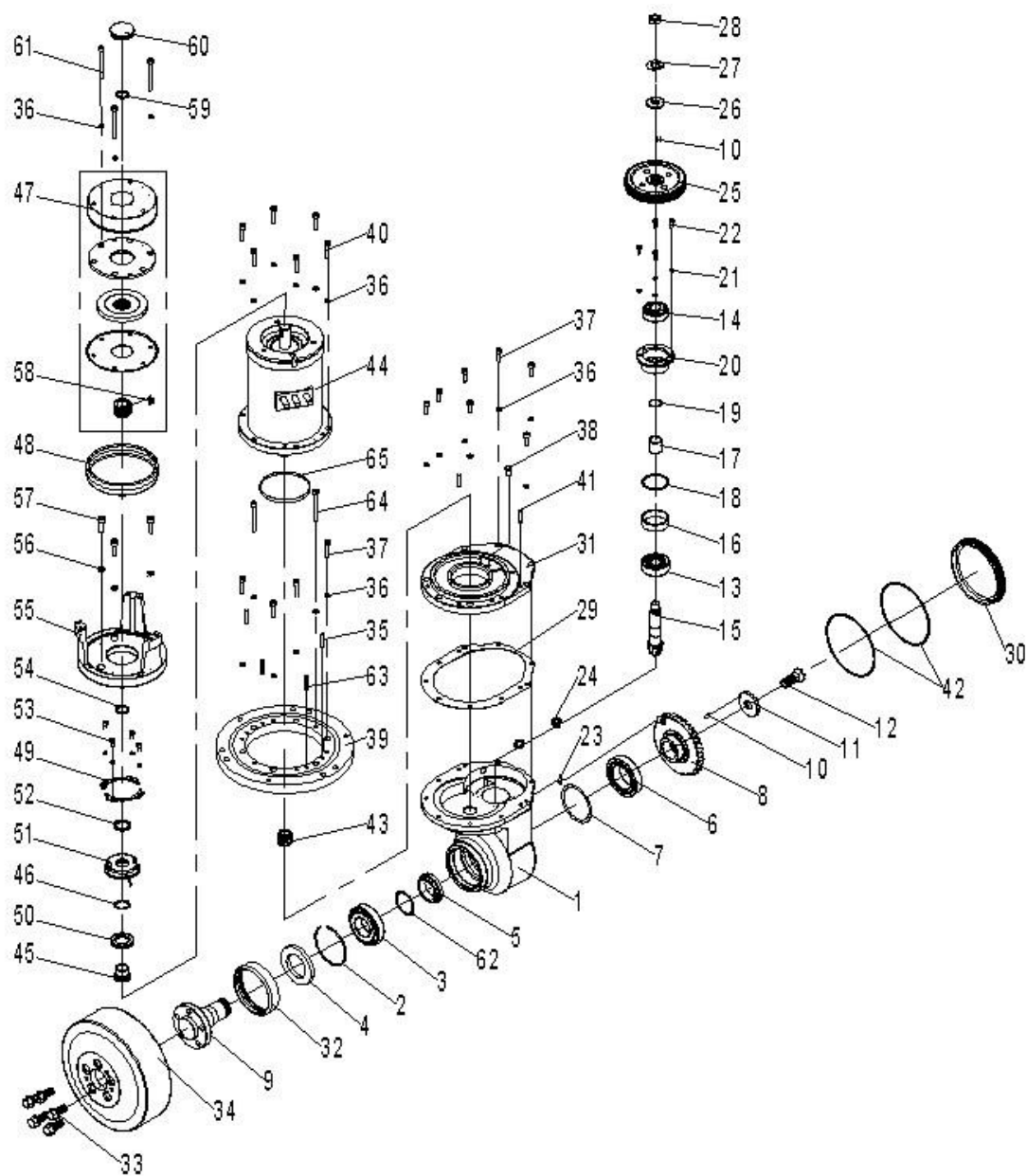


Fig. 20 7EL-AC-1.3 Drive wheel assembly

No.	New Art No.	Old Art No.	Item	Qty.	Note	Standard
33	505698520078	9000009514	Bolt	5		
34	505698520079	9000009515	Drive wheel	1		
35	505698520080	0000028027	Roll pin	2	6×30	GB/T119.1=ISO2338
36	910400500018	0000025006	Washer	22	6	GB/T93
37	910200200139	0000023020	Screw	11	M6×20	GB/T70.1=ISO4762
38	505698520081	9000009495	Vent plug	1		
39	505698520082	9000009516	Rotating support	1		
40	910200200143	0000023106	Screw	6	M6×30	GB/T70.1=ISO4762
41	505698520083	0090000504	Roll pin	2	6×26	GB/T119.1=ISO2338
42	505698520084	0000022037	O seal ring	2	125×2.65	GB/T3452.1=ISO3601-1
43	505698520085	9000009517	Small gear	1		
44	505698520086	9000009518	Drive motor	1		
45	505698520087	9000009519	Shaft sleeve	1		
46	910401300014	0000026013	Retainer ring for shaft	1	25	GB/T894.1
47	505698520088	9000009520	Brake	1		
48	505698520089	9000009521	Dust cover	1		
49	201098520026	9000009522	Flange	2		
50	201098520025	9000009523	Speed sensor gear	1		
51	505698520092	9000009524	Speed sensor	1		
52	505698520093	9000009525	Spacer	1		
53	910200200137	0000023311	Screw	4	M5×10	GB/T70.1=ISO4762
54	505698520094	0000022059	O seal ring	1	20×2.65	GB/T3452.1=ISO3601-1
55	505698520095	9000009526	Bracket	1		
56	910400500019	0000025001	Washer	3	8	GB/T93
57	910200200147	0000023047	Screw	3	M8×25	GB/T70.1=ISO4762
58	910600800012	0000036003	Flat key	1	A 6×18	GB/T1096
59	910401300011	0000026003	Retainer ring for shaft	1	20	GB/T894.1
60	505698520096	9000009527	Dust cover	1		
61	910200200047	0000023563	Screw	3	M6×65	GB/T70.1=ISO4762
62	505698520097	9000009528	Adjusting washer	1		
63	505698520098	0000028137	Roll pin	2	6×30	GB/T879.1=ISO8752
64	910200200042	0090000321	Screw	2	M6×45	GB/T70.1=ISO4762
65	505698520099	0000022038	O seal ring	1	65×2.65	GB/T3452.1=ISO3601-1

Fig. 21 26ELB-AC-1.3KW-R Drive wheel assembly

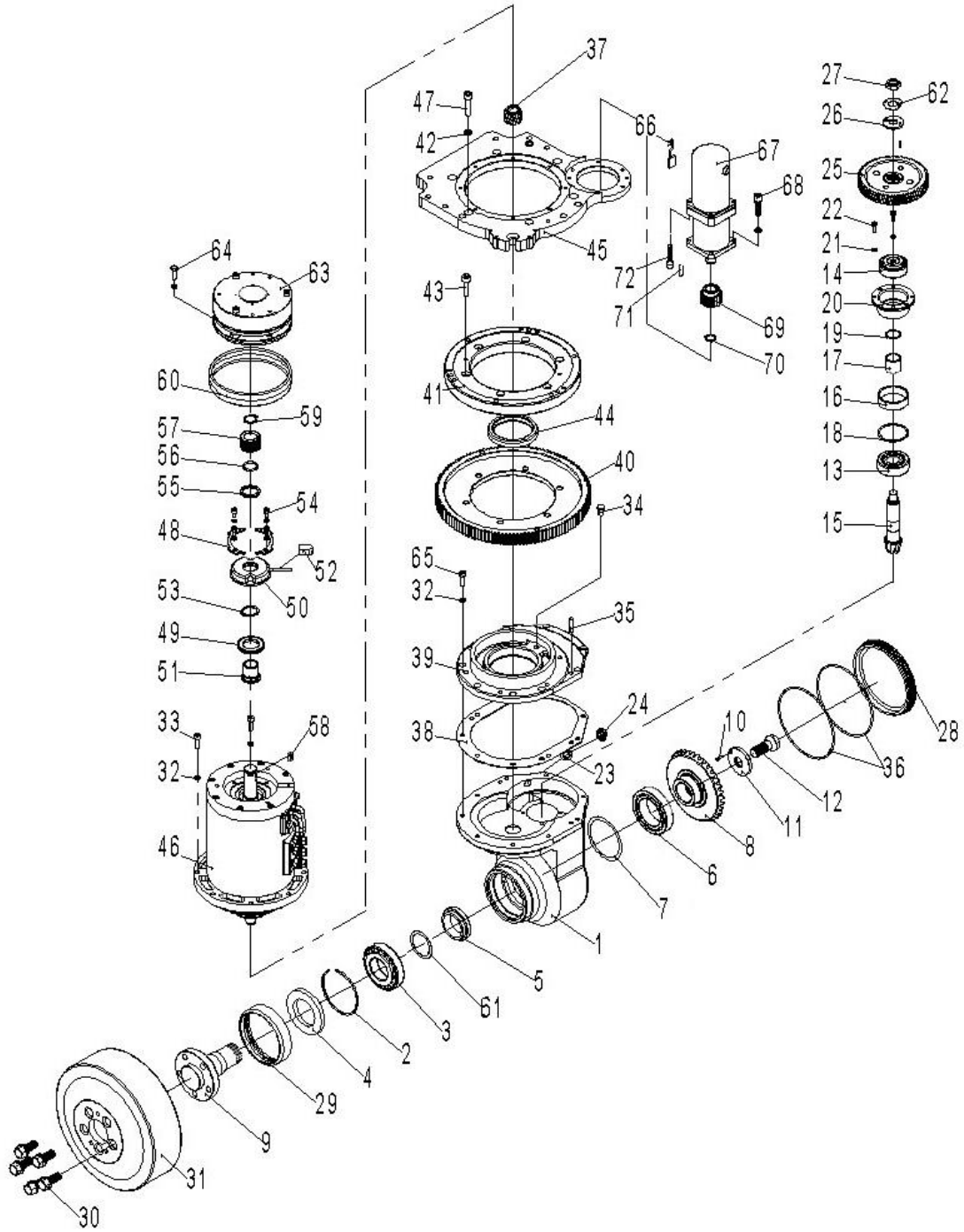


Fig. 21 26ELB-AC-1.3KW-R Drive wheel assembly

No.	New Art No.	Old Art No.	Item	Qty.	Note	Standard
1	505698520056	9000009493	Gear box	1		
2	940998520031	9000009494	Retainer ring	1		
3	910700600040	0090000116	Bearing	1	30208	GB/T297
4	505698520058	0090000505	Oil seal	1	50x80x8	GB/T9877
5	940998520032	9000009496	Bushing	1		
6	910700600041	0000027031	Bearing	1	32010	GB/T276
7	940998520035	9000009497	Adjustng washer	1		
8	505698520061	9000009498	Gear	1		
9	505698520062	9000009499	Drive shaft	1		
10	505698520063	0090000117	Roll pin	2	4x12	GB/T119.2-2000
11	505698520064	9000009500	Retainer ring	1		
12	505698520065	9000009501	Locking bolt	1		
13	910700600042	0090000502	Bearing	1	32304	GB/T276
14	910700600025	0090000503	Bearing	1	32204	GB/T276
15	505698520066	9000009502	Gear	1		
16	505698520067	9000009503	Outter sleeve	1		
17	505698520068	9000009504	Inner sleeve	1		
18	940998520021	9000009505	Adjustng washer	1		
19	505698520070	9000009506	Adjustng washer	1		
20	505698520071	9000009507	Bearing seat	1		
21	910400500017	0000025015	Washer	8	5	GB/T93
22	910200300041	0000023107	Screw	4	M5x16	GB/T70.1=ISO4762
23	910800900007	0000022036	Combination washer	3	12	JB/T982
24	201098520019	0090000506	Bolt	3	M12x1.25	JB/ZQ4444-2006
25	505698520072	9000009508	Big gear	1		
26	505698520073	9000009509	Washer	1		
27	910300400005	0090000090	Nut	1	M14x1.5	GB/T6173=ISO8675
28	505698520075	9000009511	Side cover	1		
29	505698520077	9000009513	Dust cover	1		
30	505698520078	9000009514	Tyre bolt	5		
31	505698520079	9000009515	Drive wheel	1		
32	910400500018	0000025010	Washer	20	6	GB/T93
33	910200200143	0000023106	Screw	8	M6x30	GB/T70.1=ISO4762
34	505698520081	9000009495	Vent plug	1		
35	505698520083	0090000504	Roll pin	2	6x26	GB/T119.1=ISO2338
36	505698520084	0000022037	O ring	2	125x2.65	GB/T3452.1=ISO3601-1
37	505698520085	9000009517	Small gear	1		
38	505698520100	9000009824	Paper washer	1		
39	505698520101	9000009825	Upper cover	1		
40	505698520102	9000017958	String big gear	1		
41	940998510008	9000009745	Rotating bearing	1		

Fig. 21 26ELB-AC-1.3KW-R Drive wheel assembly

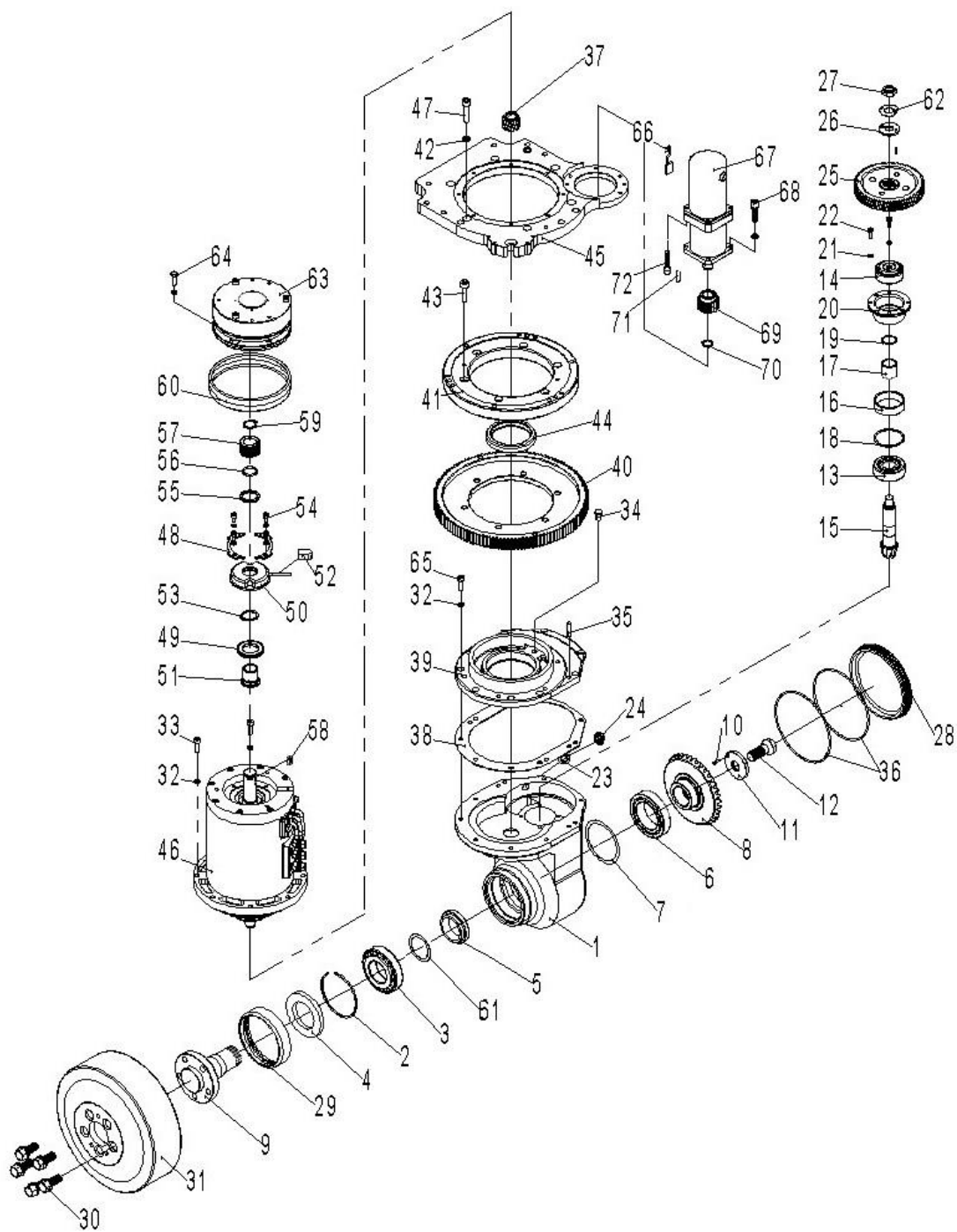


Fig. 21 26ELB-AC-1.3KW-R Drive wheel assembly

No.	New Art No.	Old Art No.	Item	Qty.	Note	Standard
42	910400500019	0000025001	Washer	6	8	GB/T93
43	910200200144	0000023455	Screw	6	M8x35	GB/T70.1=ISO4762
44	505698520104	0090000151	Oil seal	1		GB/T9877
45	505698520105	9000017959	Assembling board	1		
46	940998510009	9000009827	Motor	1		
47	910200200138	0000023172	Screw	6	M8x30	GB/T70.1-2000
48	201098520026	9000009522	Locking flange	2		
49	201098520025	9000009523	Speed sensor gear	1		
50	505698520092	9000009524	Speed sensor	1		
51	940998520014	9000009748	Bearing	1		
52	505698520107	9000008854	Bushing	1		
53	910401300014	0000026013	Retainer ring for axle	1	25	GB/T894.1
54	910200200137	0000023311	Screw	4	M5x10	GB/T70.1=ISO4762
55	505698520093	9000009525	spacer	1		
56	505698520094	0000022059	O seal ring	1	20x2.65	GB/T3452.1=ISO3601-1
57	201098520027	9000009749	Bushing	1		
58	910600800011	0000036001	Flat key	1	6x16	GB/T1096
59	910401300011	0000026003	Retainer ring for axle	1	20	GB/T894.1
60	505698520089	9000009521	Dust cover	1		
61	505698520097	9000009528	Adjustng washer	1		
62	910401000005	0000025066	Washer	1	14	GB/T856
63	505698520088	9000009750	Brake	1		
64	910100100134	0090000526	Bolt	3	M6x20	GB/T5782=ISO4014
65	910200200139	0000023020	Screw	9	M6x20	GB/T70.1=ISO4762
66	505698520108	9000006304	Steering carbon brush	1		
67	940900700003		Steering motor	1		
68	910200200166	0090000119	Screw	8	M6x22	GB/T70.1=ISO4762
69	505698520110	9000009828	Steering small gear	1		
70	910401300012	0000026040	Retainer ring for axle	1	22	GB/T894.1
71	910600800015	0090000118	Flat key	1	6x28	GB/T1096
72	910200200143	0000023106	Screw	12	M6x30	GB/T70.1=ISO4762
73	505698520111	9000017960	Screw	2		

Fig. 22 Handle lever

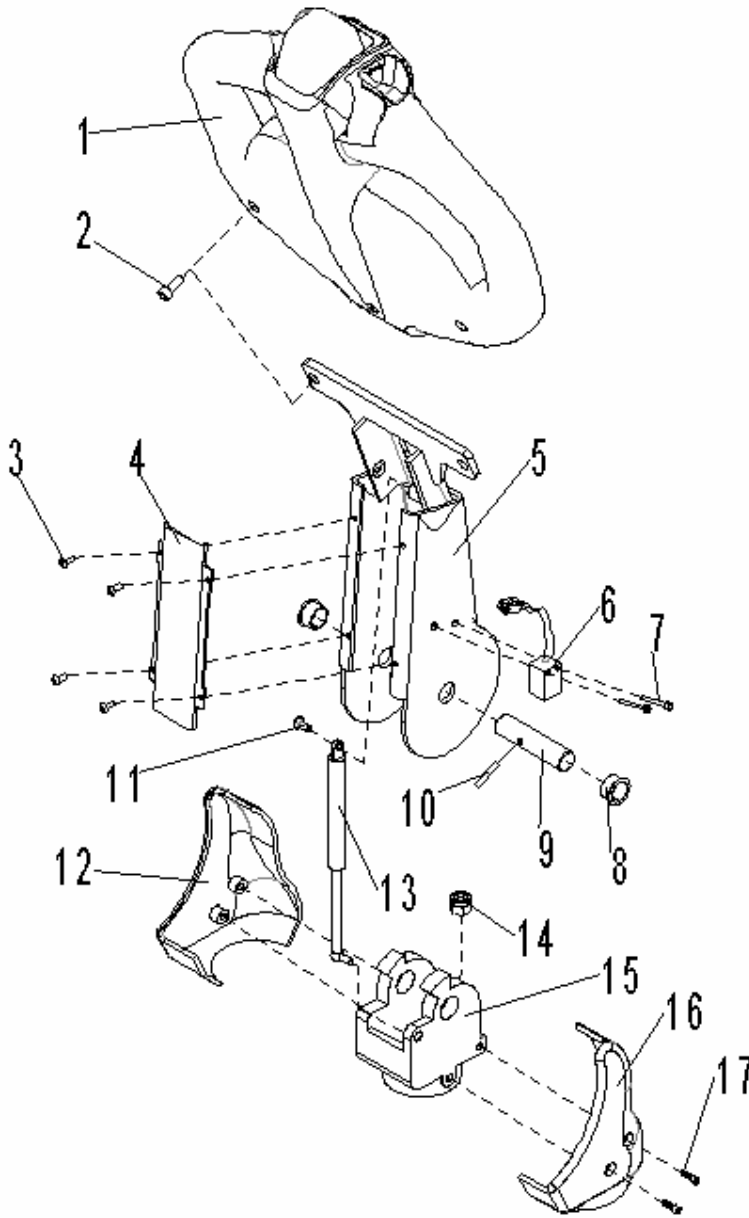


Fig. 22 Handle lever

No.	New Art No.	Old Art No.	Item	Qty.	Note	Standard
1	922100100001	1100100001	Canbus control tiller	1		
2	910200200058	0000023232	Bolt	2	M8×25	GB/T5783=ISO4017
3	910200300005	1000123003	Screw	4	M4×8	GB/T70.2=ISO7380
4	505611020013	9000007926	Cover board	1	With Foldable platform	
	505611020013				Without Foldable platform	
5	505611010000	9000007925	Welded tiller arm	1	With Foldable platform	
	505611010001				Without Foldable platform	
6	505633510000	9000008327	Proximity switch	1		
7	910200500015	0000023075	Screw	2	M3×20	GB/T70.1=ISO4762
8	940500200002	1000113001	Shoulder harness	2	17×19×11	
9	505611020008	9000007928	Tiller axle	1		
10	910600400013	0000028003	Elastic roll pin	1	4×24	GB/T879.1=ISO8752
11	910200200057	1000123001	Screw	1	M8×20	
12	505611020010	9000007930	Left tiller cover	1		
13	940400100002		Air spring	1	With Foldable platform	
	940400100003				Without Foldable platform	
14	910300500005	0000023005	Lock nut	2	M10	GB/T889.1=ISO7040
15	505611020009	9000007929	Tiller seat	1		
16	505611020011	9000007931	Right tiller cover	1		
17	910200300016	0000023519	Screw	4	M6×10	GB/T70.2=ISO7380

Fig. 23 CANBUS Handle head

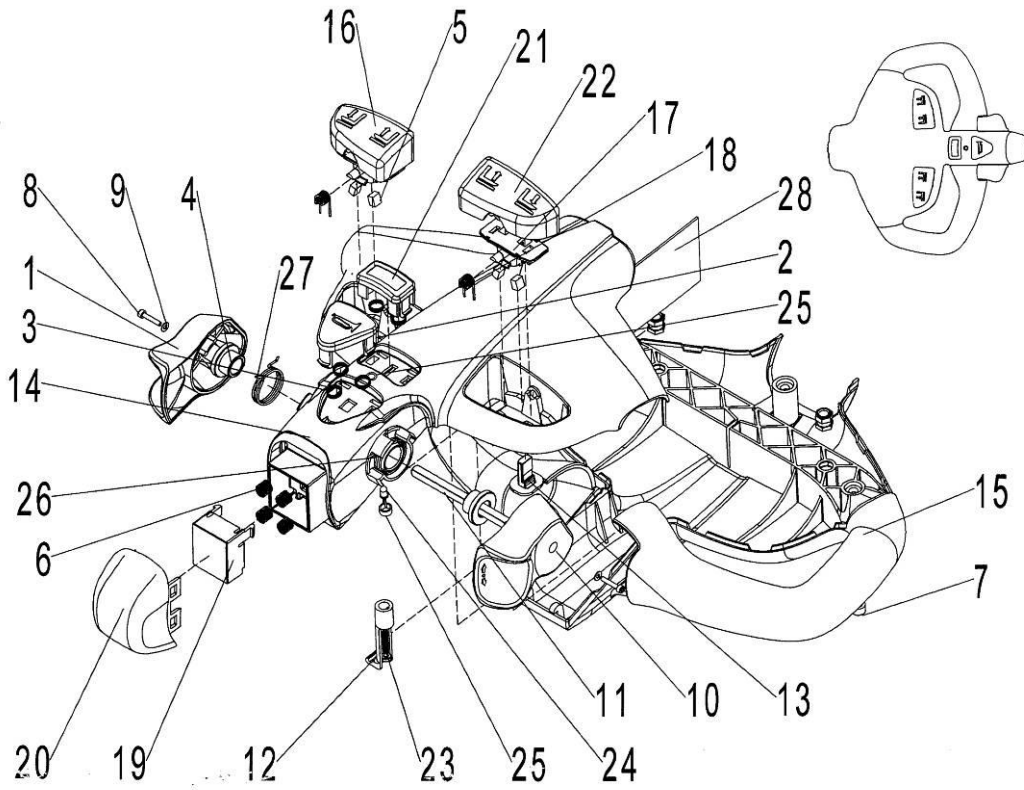


Fig. 23 CANBUS Handle head

No.	New Art No.	Old Art No.	Item	Qty.	Note	Standard
1	505698520001	1010114001	Left driving button	1		
2	505698520002	1000114015	Horn button	1		
3	505698520003	1000131009	Spring for horn button	5		
4	505698520004	1000113004	Bushing for camshaft	2		
5	505698520005	1000137001	Magnetic substance	4		
6	505698520006	1000131010	Spring for urgent reversing button	4		
7	505698520007	0000023058	Screw	3		GB/T70.1=ISO4762
8	505698520008	0000023057	Screw	2		GB/T70.1=ISO4762
9	505698520009	0000025017	Washer	2		GB/T95
10	505698520010	1010114003	Right driving button	1		
11	505698520011	1000107002	Shaft for driving button	1		
12	505698520012	1000137002	Circlip for PCB board	1		
13	505698520013	1000134005	Load censor	2		
14	505698520014	1000103012	Upper part of handle	1		
15	505698520015	1000103013	Under part of handle	1		
16	505698520016	1000114017	Left button	1		
17	505698520017	1000137003	Magnetic substance seat	2		
18	505698520018	1000131011	Torsional spring	2		
19	505698520019	1000114018	Seat for Spring for urgent reversing button	1		
20	505698520020	1000114020	Cover for Spring for urgent reversing button	1		
21	505698520021	1000114021	Cover for option switch	1		
22	505698520022	1000114022	Right button	1		
23	505698520023	0000023060	Screw	1		GB/T845=ISO7049
24	505698520024	1000134006	LED bi-color light	1		
25	505698520025	1000103014	Seat for LED bi-color light	1		
26	505698520026	1000131012	Torsional spring for right driving button	1		
27	505698520027	1000131013	Torsional spring for left driving button	1		
28	505698520028	1100135001	PCB	1		
[1]	922100100001	1100100001	Canbus control tiller	1		

Fig. 24 Pump station system (3.0KW 3.3 delivery capacity)

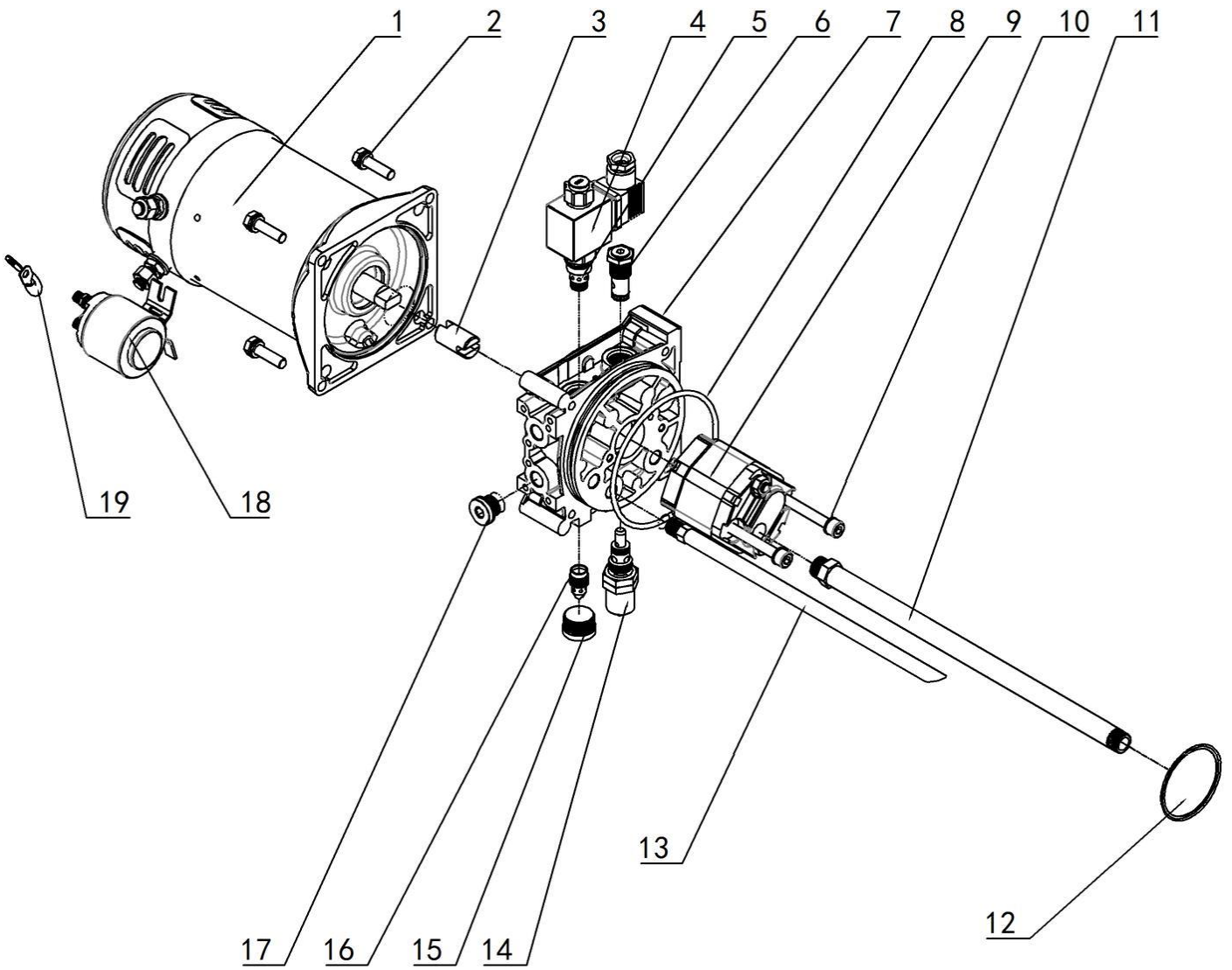


Fig. 24 Pump station system (3.0KW 3.3 delivery capacity)

No.	New Art No.	Old Art No.	Item	Qty.	Note
1	532698510013		Motor	1	
2	532698520053		Screw	4	
3	532698520054		coupling	1	
4	532698510014		coil	1	
5	532698510015		spool	1	
6	532698510016		Check valve	1	
7	532698520055		Valve block	1	
8	532698520056		O ring	1	
9	532698510022		Gear pump	1	
10	532698520057		Screw	2	
11	532698520063		Oil suction pipe	1	
12	532698520059		Filter	1	
13	532698520064		Oil return pipe	1	
14	532698510018		Overflow valve	1	
15	532698520061		Plug	1	
16	532698510023		Flow control valve	1	
17	532698520062		Plug	1	
18	532698510020		Pump contactor	1	
19	532698510021		Connecting line	1	

Fig. 25 Main circuit wiring (Electrical steering)

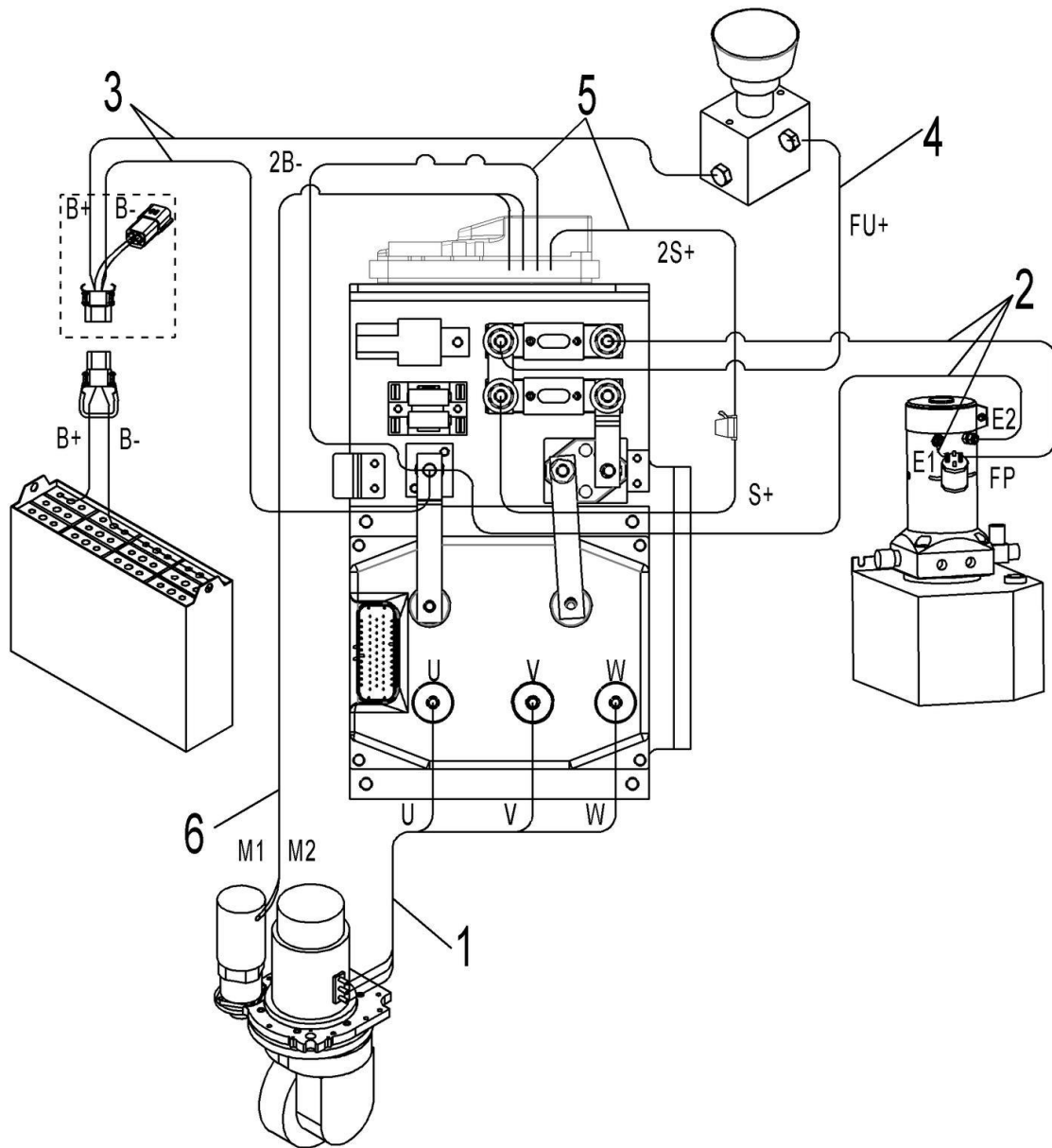


Fig. 25 Main circuit wiring (Electrical steering)

No.	New Art No.	Old Art No.	Description	Qty.	Note
1	505633010008	9000008444	Drive motor cable	1	
2	532633010002	9000008361	Pump motor cable	1	
3	532633010003	9000008362	Power supply cable	1	
4	505633010005	9000008371	FU+ cable	1	
5	505633010014	9000017598	Steering controller cable	1	
6	505633010015	9000017599	cable	1	
	505633010027			1	

Fig. 26 Main circuit wiring (Manual steering)

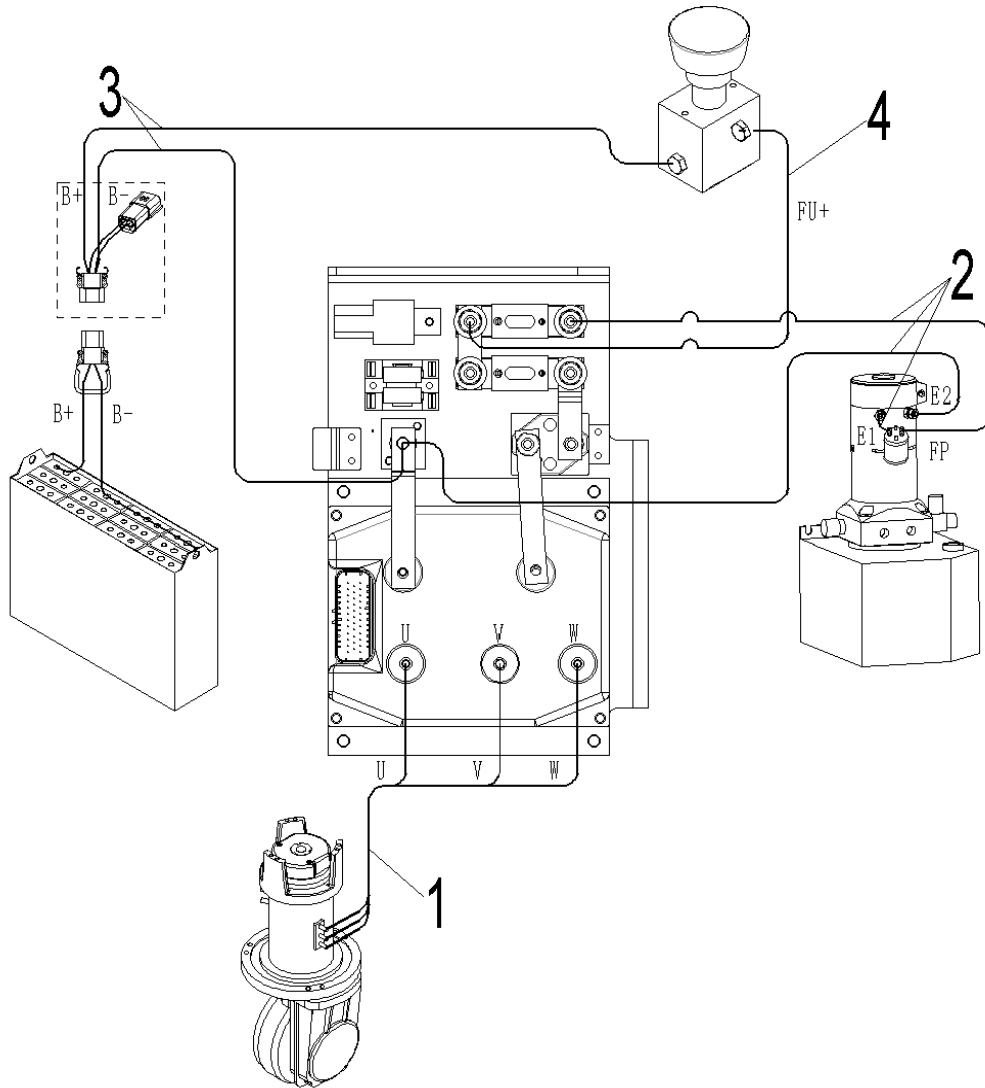


Fig. 26 Main circuit wiring (Manual steering)

No.	New Art No.	Old Art No.	Description	Qty.	Note
1	505633010002	9000008368	Drive motor cable	1	
2	532633010002	9000008361	Pump motor cable	1	
3	532633010003	9000008362	Power supply cable	1	
4	505633010005	9000008371	FU+ cable	1	

Fig. 27 General electrical parts

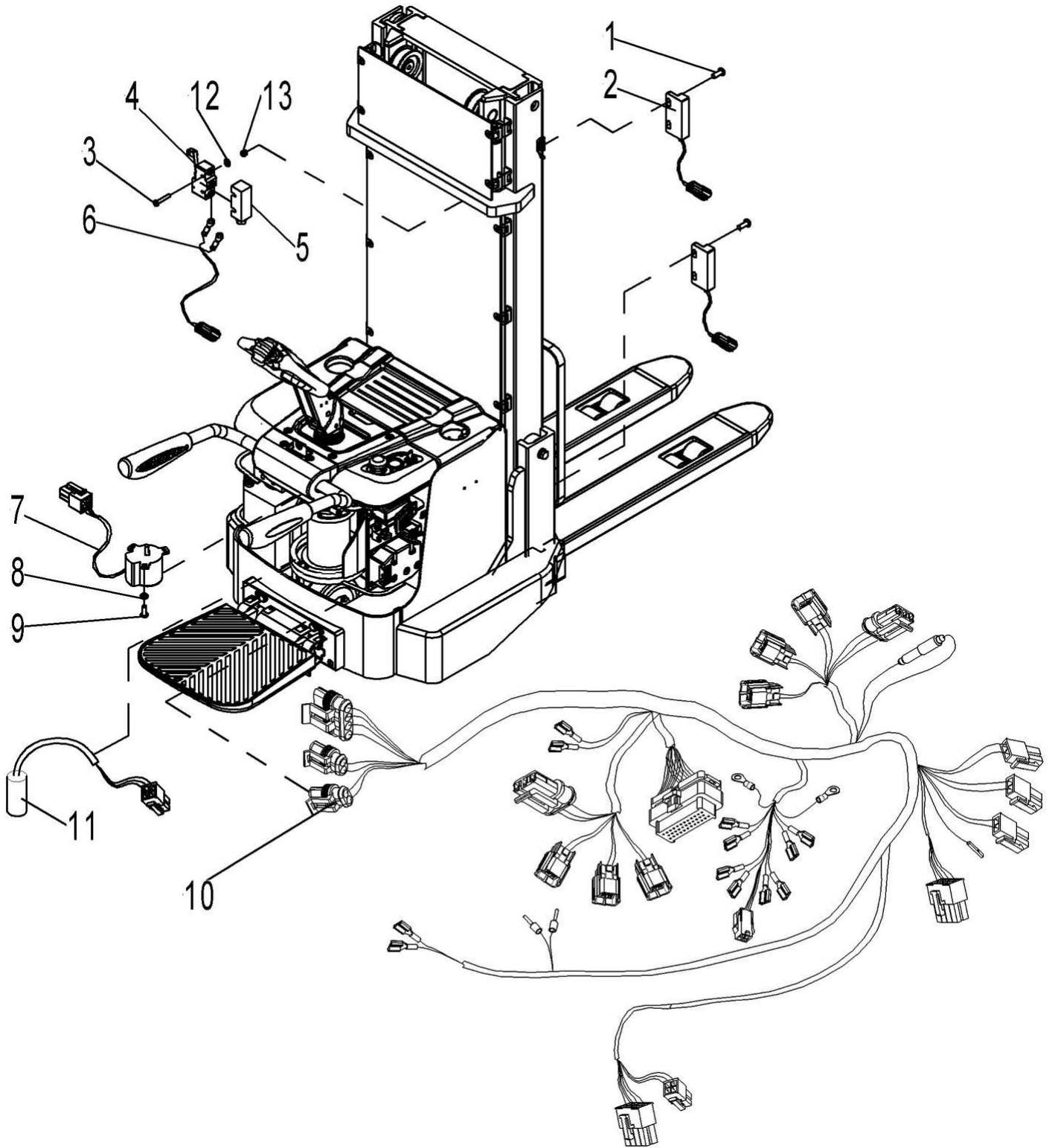


Fig. 27 General electrical parts

No.	New Art No.	Old Art No.	Description	Qty.	Note	Standard
1	910200300002	0000023083	Screw	4	M3×8	GB/T70.2=ISO7380
2	532633510000	9000008332	Magnet switch	2	HWK23	
3	910200200017	0000023033	Screw	2	M4×25	GB/T70.1=ISO4762
4	920200300001	2040634001	Proximity switch	1	XZ-15GW22-B	
5	920200300007	9000010040	Proximity switch protective cover AP-B	1	AP-B	
6	532633010001	9000008360	Limit control wiring harness	1		
7	505633010028		Tiller sensor	1	Only for electrical steering truck	
8	910400100002		Washer 3	3		GB/T97.1
9	910200500010	0000023216	Screw M3×8	3		GB/T818-2000=ISO7045
10	532633010000	9000008359	Main control wiring harness	1	Manual steering	
	532633010009	9000017596			CURTIS electrical steering	
	532633010011	9000017934			proportional lifting, CURTIS electrical steering	
11	920200400002	9000017964	Proximity switch	1	CURTIS electrical steering	
14	910400100003		Washer	2	4	GB/T97.1
15	910300500001	0000024004	Nut	2	M4	GB/T889.1=ISO7040

Fig. 28 Electric control assembly(Electrical steering)

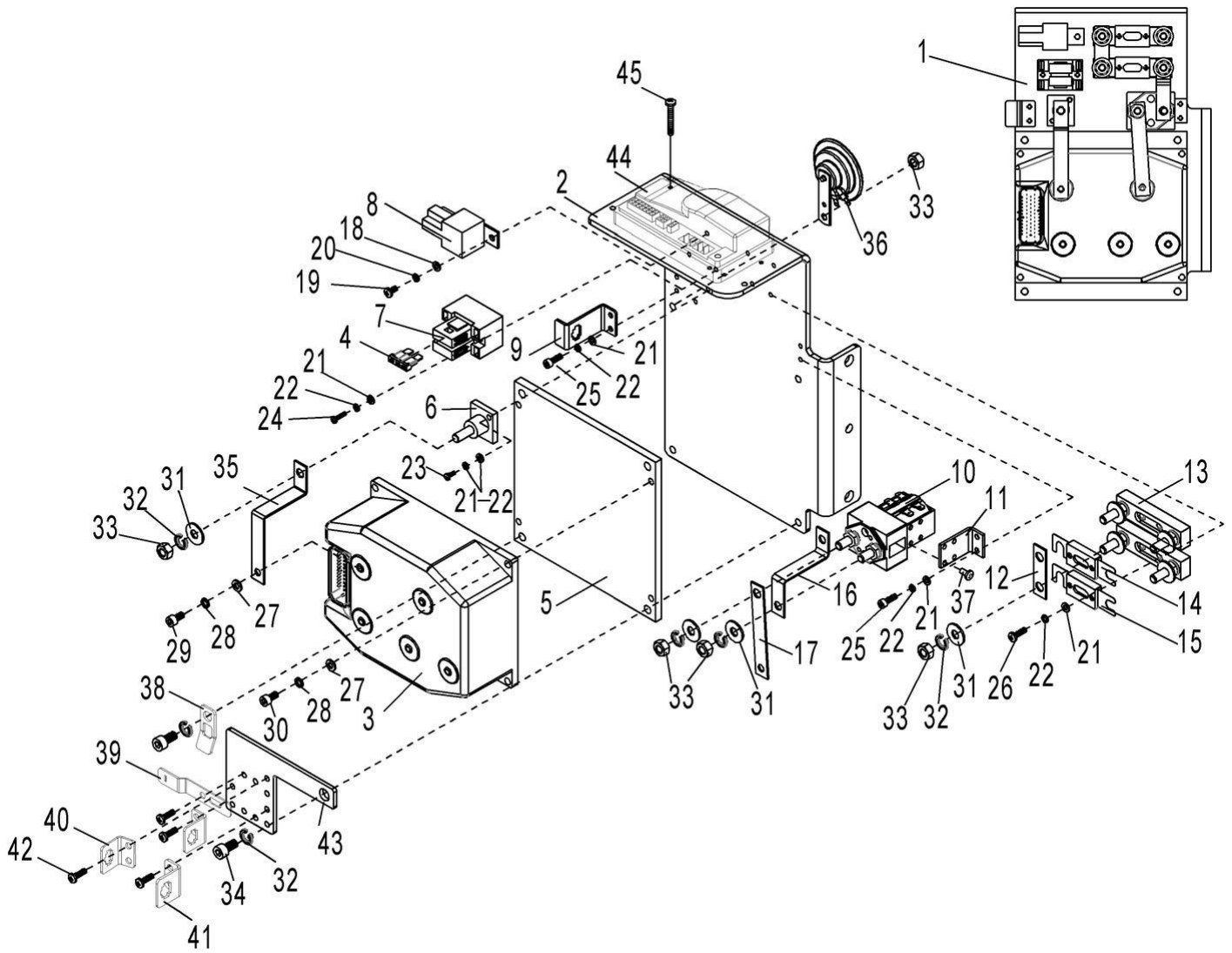


Fig. 28 Electric control assembly(Electrical steering)

No.	New Art No.	Old Art No.	Name	Qty.	Note	Standard
1	505633010006	9000008375	Control assembly	1		
2	505621520034	9000008069	Controller assemble plate	1		
3	921400100006	9000000235	Controller	1		
4	920100200002	1000434040	Fuse	1		
5	505633020004	9000008376	Aluminium plate	1		
6	920100400001	1020434002	Terminal	1		
7	920100400005	9000008586	Fuse seat	1		
8	920800100001	1000434041	Relay	1		
9	921300300001	9000007679	Plug fixing plate	1		
10	920700100004	1000434006	Traction motor contactor	1		
11	921300400001	9000008598	Main contactor assembly plate	1		
12	505633020003	1020434003	Copper bar	1		
13	920100400002	1000434007	Fuse seat	2		
14	920100100008	1020434001	Fuse	1		
15	920100100007	2210434004	Fuse	1		
16	505633020002	9000008374	Copper bar	1		
17	505633020001	9000008373	Copper bar	1		
18	910400100004	0000025014	Washer	1	5	GB/T95
19	910200500037	0000023516	Screw	1	M5×10	GB/T818-2000=ISO7045
20	910400500004	0000025015	Washer	1	5	GB/T93
21	910400500003	0000025018	Washer	12	4	GB/T93
22	910400100003	0000025019	Washer	12	4	GB/T95
23	910200200013	0000023073	Screw	2	M4×10	GB/T70.1=ISO4762
24	910200500028	0000023019	Screw	2	M4×30	GB/T818-2000=ISO7045
25	910200500021	0000023307	Screw	4	M4×10	GB/T818-2000=ISO7045
26	910200500024	0000023211	Screw	4	M4×16	GB/T818-2000=ISO7045
27	910400500005	0000025010	Washer	9	6	GB/T93
28	910400100005	0000023055	Washer	9	6	GB/T95
29	910200200033	0000023478	Screw	5	M6×12	GB/T70.1=ISO4762
30	910200200035		Screw	4	M6×16	GB/T70.1=ISO4762
31	910400500006	0000025001	Washer	12	8	GB/T93
32	910400100006	0000025011	Washer	11	8	GB/T95
33	910300100006	0000024086	Nut	12	M8	GB/T6170=ISO4032
34	910200200055	0000023067	Screw	4	M8×16	GB/T70.1=ISO4762
35	505633020000	9000008372	Copper bar	1		
36	920500100001	1000434015	Horn	1	DC24V	

37	910200500020	0000023727	Screw	2	M4×6	GB/T818-2000=ISO7045
38	921300200012	9000009791	Attachment plate	1		
39	921300300005	1000204002	AMP plug seat	4		
40	504136501003	1010404005	Plug fixing frame	2		
41	921300300003	9000008882	Plug fixing frame	2		
42	910200500021	0000023307	Screw	8	M4×10	GB/T818=ISO7045
43	921300300007	9000012097	Plug mounting plate	1		
44	921400100003	9000016565	Controller	1		
45	910200200018		Screw	2	M4×30	GB/T70.1=ISO4762

Fig. 29 Electric control assembly(Manual steering)

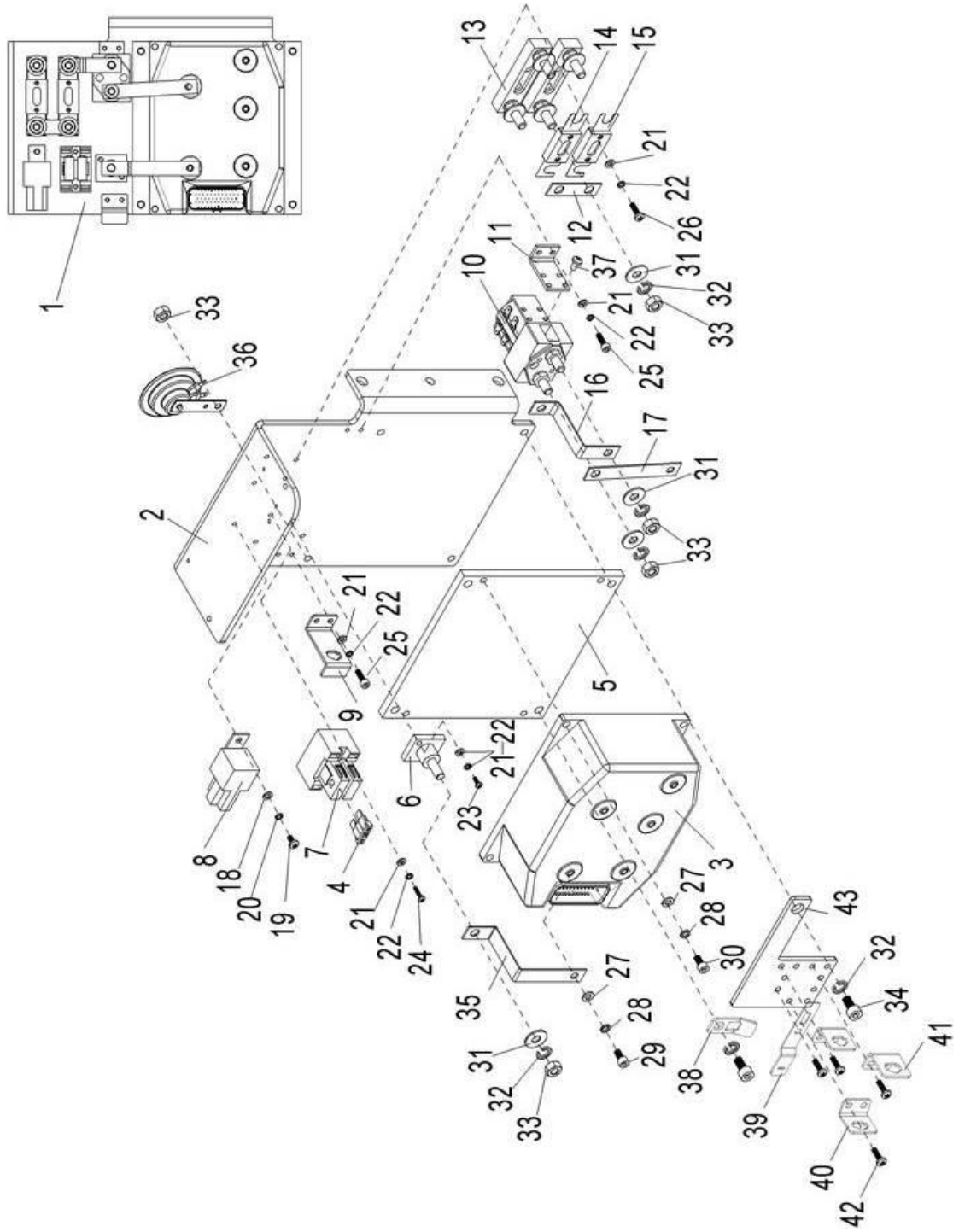


Fig. 29 Electric control assembly(Manual steering)

No.	New Art No.	Old Art No.	Name	Qty.	Note	Standard
1	505633010006	9000008375	Controller	1		
2	505621520034	9000008069	Controller assembly plate	1		
3	921400100006	9000000235	Controller	1	CURTIS1232E-2121	
4	920100200002	1000434040	Fuse	1	10A	
5	505633020004	9000008376	Aluminium plate	1		
6	920100400001	1020434002	Wiring terminal	1	BD-M8	
7	920100400005	9000008586	Fuse seat	1	BD-2×10A-1	
8	920800100001	1000434041	Relay	1	ACR01F-F 1C DC24V	
9	921300300001	9000007679	Plug fixing plate	1		
10	920700100004	1000434006	Traction motor contactor	1	C100/120 DC24V	
11	921300400001	9000008598	Main contactor assemble plate	1		
12	505633020003	1020434003	Copper bar	1		
13	920100400002	1000434007	Fuse seat	2	SYT	
14	920100100008	1020434001	Fuse	1	200A	
15	920100100007	2210434004	Fuse	1	150A	
16	505633020002	9000008374	Copper bar	1		
17	505633020001	9000008373	Copper bar	1		
18	910400100004	0000025014	Washer	1	5	GB/T95
19	910200500037	0000023516	Screw	1	M5×10	GB/T818-2000=ISO7045
20	910400500004	0000025015	Washer	1	5	GB/T93
21	910400500003	0000025018	Washer	12	4	GB/T93
22	910400100003	0000025019	Washer	12	4	GB/T95
23	910200200013	0000023073	Screw	2	M4×10	GB/T70.1=ISO4762
24	910200500028	0000023019	Screw	2	M4×30	GB/T818-2000=ISO7045
25	910200500021	0000023307	Screw	4	M4×10	GB/T818-2000=ISO7045
26	910200500024	0000023211	Screw	4	M4×16	GB/T818-2000=ISO7045
27	910400500005	0000025010	Washer	9	6	GB/T93
28	910400100005	0000023055	Washer	9	6	GB/T95
29	910200200033	0000023478	Screw	5	M6×12	GB/T70.1=ISO4762
30	910200200035		Screw	4	M6×18	GB/T70.1=ISO4762
31	910400500006	0000025001	Washer	12	8	GB/T93
32	910400100006	0000025011	Washer	11	8	GB/T95

33	910300100006	0000024086	Nut	12	M8	GB/T6170=ISO4032
34	910300100006	0000023067	Screw	4	M8×16	GB/T70.1=ISO4762
35	505633020000	9000008372	Copper bar	1		
36	920500100001	1000434015	Horn	1	DC24V	
37	910200500020	0000023727	Screw	2	M4×6	GB/T818-2000=ISO7045
38	921300200012	9000009791	Attachment plate	1		
39	921300300005	1000204002	AMP plug seat	4		
40	504136501003	1010404005	Plug fixing frame	2		
41	921300300003	9000008882	Plug fixing frame	2		
42	910200500021	0000023307	Screw	8	M4×10	GB/T818=ISO7045
43	921300300007	9000012097	Plug mounting plate	1		

Fig. 30 Foldable platform

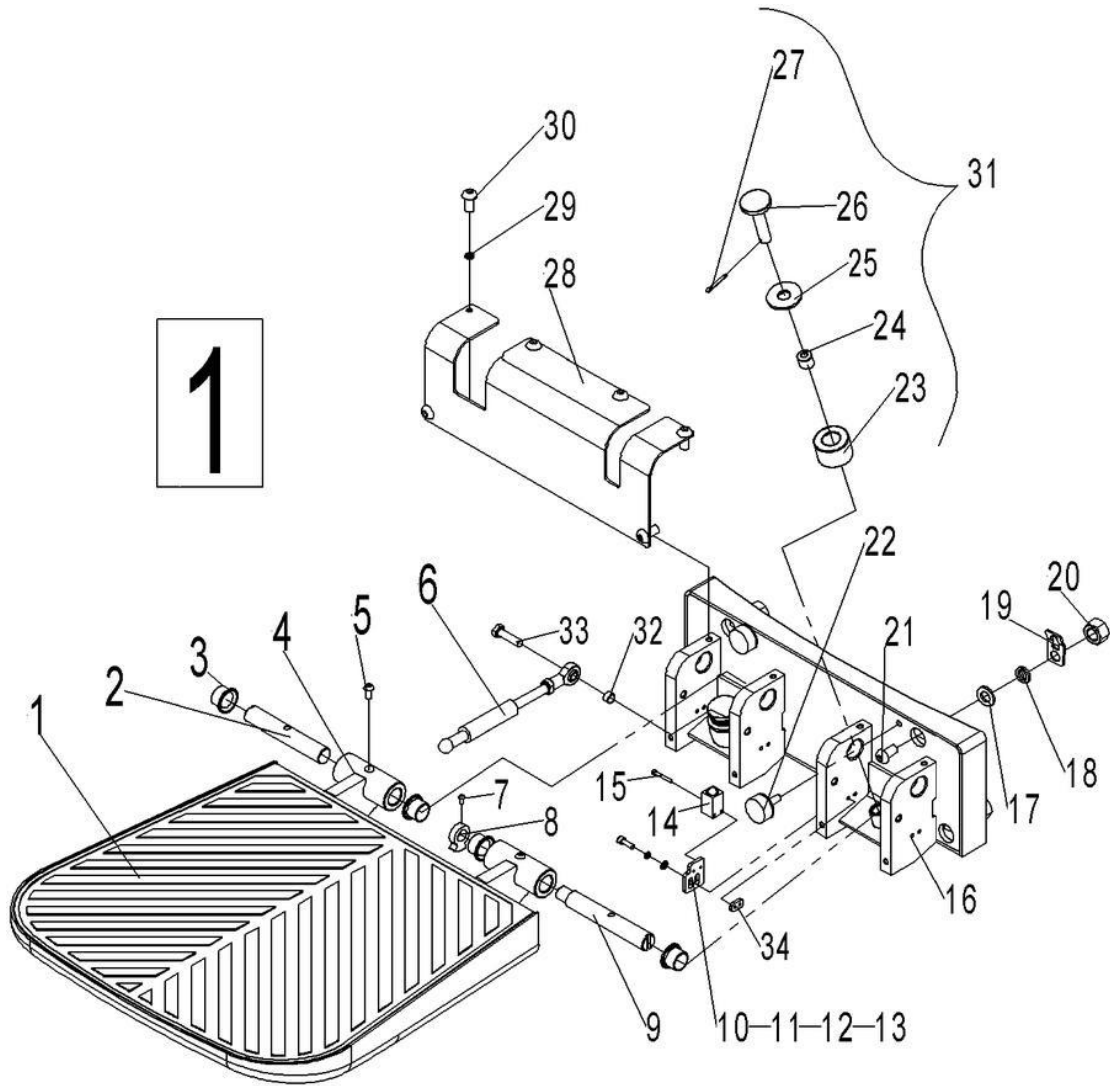


Fig. 30 Foldable platform

No.	New Art No.	Old Art No.	Description	Qty.	Note
1	505618020018	9000007867	Rubber pad	1	
2	505618020020	9000007869	Rotate axle $\Phi 20 \times 118$	1	
3	940500200008	9000007799	Bushing (with shoulder) $\Phi 20 \times \Phi 23 \times 16.5$ -SF-1	4	
4	505618010000	9000007863	Platform welding	1	
5	910200300018	0000023555	Screw GB70.2-M6x16-8.8	2	
6	940400100008	2000421001	Air pring 700N(D263)	1	
7	910300400006	0000024014	Nut GB6173-M16x1.5-05	1	
8	505618020024	9000007873	Cam	1	
9	505618020017	9000007866	Fixing axle $\Phi 20 \times 140$	1	
10	910400500004	0000025012	Spring washer GB93-5	2	
11	910400100004	0000023032	Washer GB97.1-5-200HV	2	
12	910200200023	0000023107	Screw GB70.1-M5x16-8.8	2	

13	505618020026	9000009799	Mounting plate (switch)	1	
14	910200500015	0000023075	Screw GB818-M3x20-4.8	2	
15	505633510002	9000008328	Proximity switch NBN5-F7-E2(800mm)	1	
16	505618010001	9000007864	Mounting base welding	1	
17	910400100008	0090000048	Washer GB97.1-12-200HV	4	
18	910400500008	0000025024	Spring washer GB93-12	4	
19	505618020025	9000007874	Cable plate	1	
20	910300500006	0000024006	Nut GB889.1-M12-10	4	
21	910200200100	0090000450	Screw GB70.1-M12x40-8.8	4	
22	505618020016	9000007865	Damping pad	2	
23	505618020023	9000007872	Damping pad $\Phi 40 \times \Phi 20 \times 43$	2	
24	505618020022	9000007871	Damping pad $\Phi 40 \times \Phi 13.5 \times 6$	2	
25	505618020030		Spacer $\Phi 18.8 \times \Phi 13.2 \times 10.5$	2	
26	505618020021	9000007870	Fixing bolt $\Phi 13 \times 68$	2	
27	910600600026	0000028033	Split pin GB91-3.2x20	2	
28	505618020019	9000007868	Protective cover (Mounting base)	1	
29	910400500005	0000025010	Spring washer GB93-6	6	6
30	910200300017	0000023045	Screw GB70.2-M6x12-8.8	6	
31	505698510002	9000008897	Anti-vibration components	2	
32	505618020028		Spacer $\Phi 12 \times \Phi 9 \times 5$	1	
33	910100300024		Screw GB5783-M8x30-8.8	1	
34	505618020027		Mounting plate	1	
[1]	505618001000	9000007862	Platform assembly	1	

Fig. 31 Protective arm

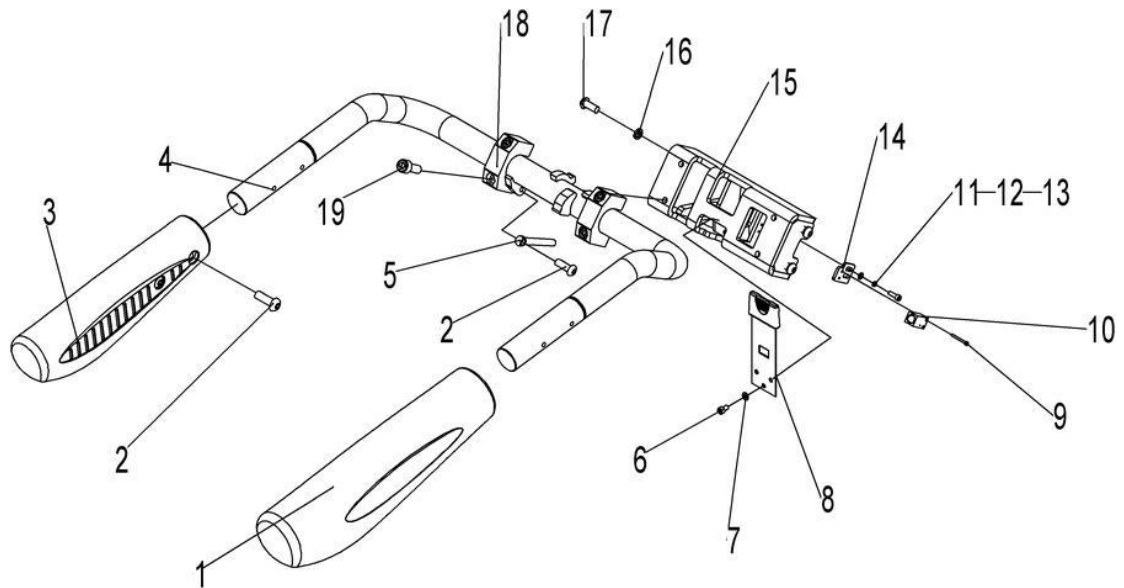


Fig. 31 Protective arm

No.	New Art No.	Art No.	Description	Qty.	Note	Standard
1	505617510002	9000007895	Right protective arm cover	1		
2	910200300025	0090000448	Screw	5	M8×20	GB/T70.2=ISO7380
3	505617510004	9000007896	Left protective arm cover	1		
4	505617510001	9000007894	Welded protective arm	1		
5	940400100006	9000007780	Air spring	1		
6	910200300017	0000023045	Screw	3	M6×12	GB/T70.2=ISO7380
7	910400500005	0000025010	Washer	3	6	GB/T93
8	505617510005	9000007897	Positioning spring	1		
9	910200200005	0000023075	Screw	2	M3×20	GB/T70.1=ISO4762
10	505633510001	9000008329	Proximity switch	1	NBN5-F7-E2	
11	910400500004	0000025012	Washer	2	5	GB/T93
12	910400100004	0000023032	Washer	2	5	GB/T95
13	910200200023	0000023107	Screw	2	M5×16	GB/T70.1=ISO4762
14	505618020026	9000009799	Switch transition plate	1		
15	505617510000	9000007892	Welded protective arm seat	1		
16	910400500007	0000023006	Washer	4	10	GB/T93
17	910200300029	0090000447	Screw	4	M10×25	GB/T70.2=ISO7380
18	505617520005	9000007893	Protective arm clamp block	2		
19	910200200080	0000023099	Screw	4	M10×45	GB/T70.1=ISO4762

Fig. 32 Backrest

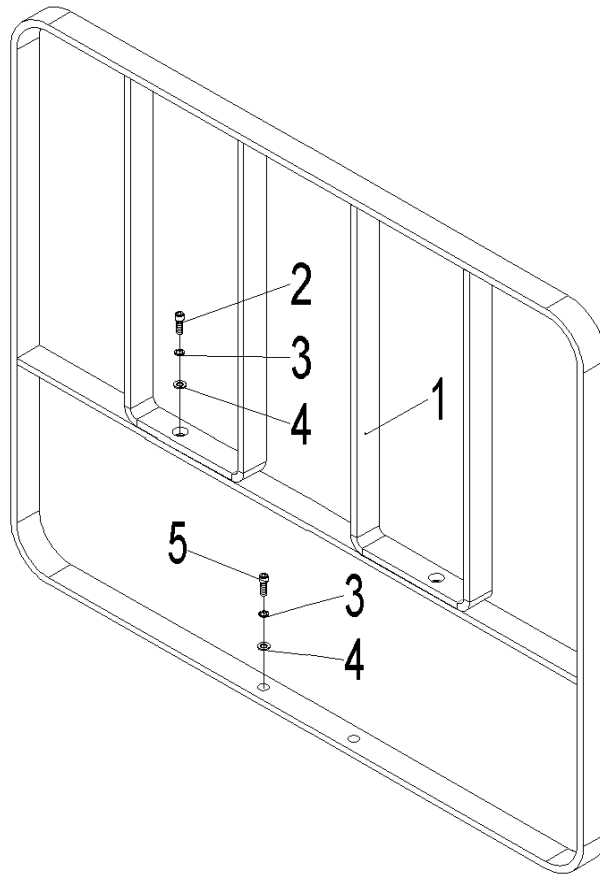


Fig. 32 Backrest

No.	New Art No.	Old Art No.	Name	Qty.	Note	Standard
1	532640510001	9000008259	Backrest frame welding	1		
2	910200200076	0000023088	Screw	2	M10×25	GB/T70.1=ISO4762
3	910400100007	0000025002	Washer	4	10	GB/T95
4	910400500007	0000023006	Standard spring washer	4	10	GB/T93
5	910200200078	0000023029	Screw	2	M10×35	GB/T70.1=ISO4762

Easy worn parts list

No.	New Art No.	Old Art No.	Description	Qty.	Fig./Position	Note
1	940200300017		Compound roller	4	Fig. 4/1	Chassis
2	532698510003	9000010408	Steering wheel kit	2	Fig. 5/13	Chassis system
3	532698510004	9000003638	Castor wheel	2	Fig. 6/13	Steering wheel assembly
4	532098510016	9000010429	Wheel set kit	4	Fig. 7/7	Load wheel assembly (tandem roller)
5	940200300020		Compound roller	4	Fig. 12/1	Mast system
6	532998510005	9000010750	Cylinder seal kit	2	Fig. 16/13	Cylinder
7	940801200001	9000007806	Damper	1	Fig. 19/7	Electric steering assembly
8	940400100002		Air spring (S≥55)	1	Fig. 22/13	Handle lever
9	920100100008	1020434001	Fuse 200A	1	Fig. 28/14	Electric control assembly(Electrical steering)
10	920100100007	2210434004	Fuse 150A	1	Fig. 28/15	
11	920100200002	1000434040	Fuse 10A	1	Fig. 28/4	
12	920100200002	1000434040	Fuse 10A	1	Fig. 29/4	Electric control assembly(Manual steering)
13	920100100008	1020434001	Fuse 200A	1	Fig. 29/14	
14	920100100007	2210434004	Fuse 150A	1	Fig. 29/15	
15	940500200008	9000007799	Shoulder harness 20×23×16.5	4	Fig. 30/3	Foldable platform
16	940400100008	2000421001	Air spring	1	Fig. 30/6	
17	505698510002	9000008897	Suspension components	2	Fig. 30/31	
18	940400100006	9000007780	Air spring	1	Fig. 31/5	Protective arm